

1. Application 用途

- ◆ Industrial, Consume and so on

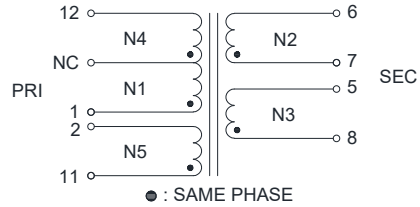
2. Features 特性

- ◆ High insulation and potting design
- ◆ Comply with IEC60335,IEC62368
- ◆ ≥95% Efficiency
- ◆ ROHS、Reach Compliant
- ◆ Operating Temperature Range: -40℃ to +155℃

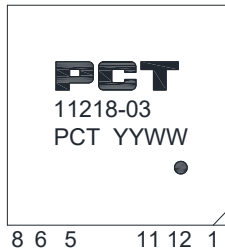
3. Picture 图片



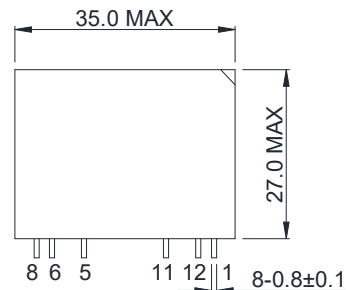
4. Schematic 原理图



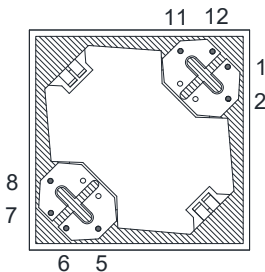
5. Dimension (Unit: mm) 外形尺寸



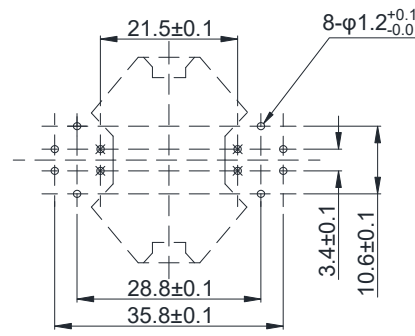
TOP VIEW



FRONT VIEW



BOTTOM VIEW



SUGGESTED PAD LAYOUT

6. Electrical Characteristics 电气特性

Electrical Specifications@25℃

Part NO.	Output power(W)	Inductance(uH) 10KHz,0.1V	Lk(uH)MAX 100KHz,0.1V	Turns Ratio 20KHz,1V	DCR (mΩ MAX)				HI-POT(VAC) 5mA/3S
11218-03	200	1-12	1-12	(N1+N4):N2:N3:N5	1-12	11-2	7-6	8-5	PRI -SEC
		436.0~532.0	8.0	1:0.23:0.23:0.12	396.0	155.0	27.0	27.0	3500