

1. Application 用途

- ◆ Consume, Industrial and so on

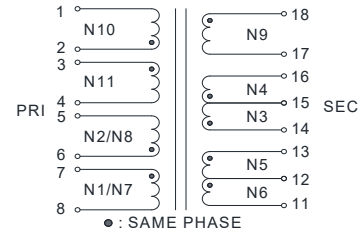
2. Features 特性

- ◆ Through hole design
- ◆ Comply with IEC60335, IEC62368
- ◆ $\geq 95\%$ Efficiency
- ◆ ROHS、Reach Compliant
- ◆ Operating Temperature Range: -40°C to $+130^{\circ}\text{C}$

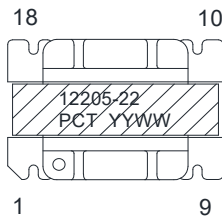
3. Picture 图片



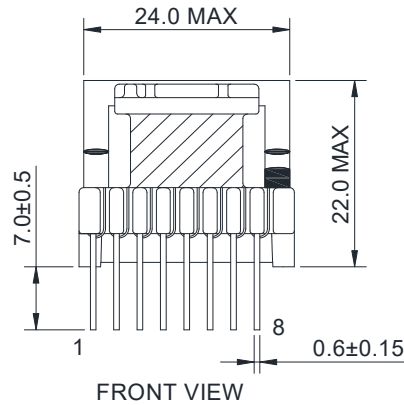
4. Schematic 原理图



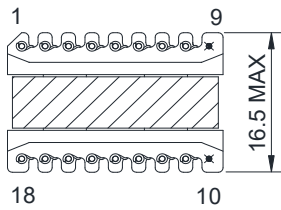
5. Dimension (Unit: mm) 外形尺寸



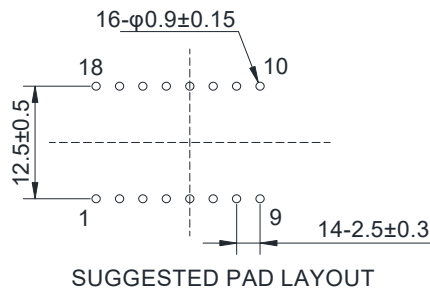
TOP VIEW



FRONT VIEW



BOTTOM VIEW



SUGGESTED PAD LAYOUT

6. Electrical Characteristics 电气特性

Electrical Specifications@25°C

Part NO.	Output power(W)	Inductance(uH)	Lk(uH)MAX	Turns Ratio	DCR				HI-POT(VAC)
		100KHz, 1V	100KHz, 1V	10KHz, 1V	(mΩ MAX)				1mA/60S
12205-22	7	7-8	7-8	7-8:5-6:1-4:11-18	14-16	13-11	1-4	18-17	PRI-SEC
		127.0±10%	1.5	1:0.8:1.12:2.8	0.18	2.0	2.0	0.32	500