

1. Application 用途

- ◆ Industrial, Consume and so on

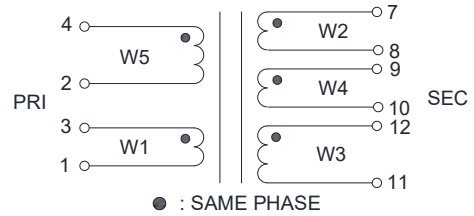
2. Features 特性

- ◆ Low profile and SMD design
- ◆ Comply with IEC60335,IEC62368
- ◆ ≥95% Efficiency
- ◆ ROHS、Reach Compliant
- ◆ Operating Temperature Range: -40°C to +130°C

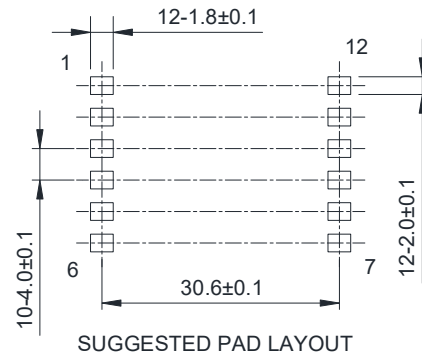
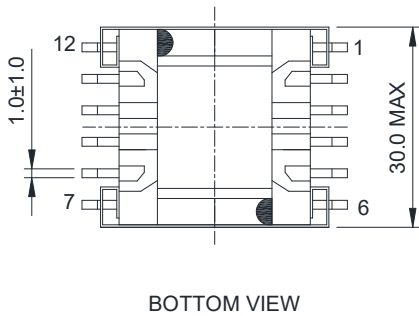
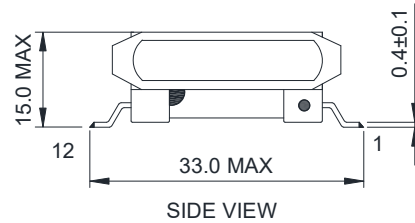
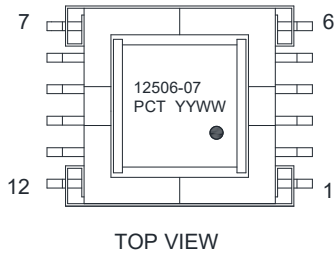
3. Picture 图片



4. Schematic 原理图



5. Dimension (Unit: mm) 外形尺寸



6. Electrical Characteristics 电气特性

Electrical Specifications@25°C

Part NO.	Output power(W)	Inductance(uH)	Lk(uH)MAX	Turns Ratio	DCR				HI-POT(VAC)
		10KHz,0.3V	100KHz,0.3V		(mΩ MAX)				5mA/3S
12506-07	60	3-1	1-3	W2:W4:W1:W5:W3	4-2	3-1	9-10	7-8	PRI -SEC
		19.0~23.0	0.8	1:1:0.09:0.09:0.05	27.0	22.5	2.85	2.6	1500