

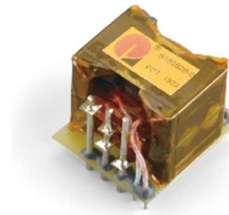
1. Application 用途

- ◆ Industrial Power Supply

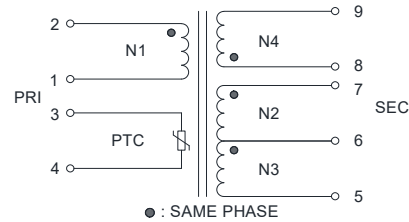
2. Features 特性

- ◆ Comply with IEC62368
- ◆ ≥98% Efficiency
- ◆ ROHS、Reach Compliant
- ◆ Operating Temperature Range: -40°C to +155°C

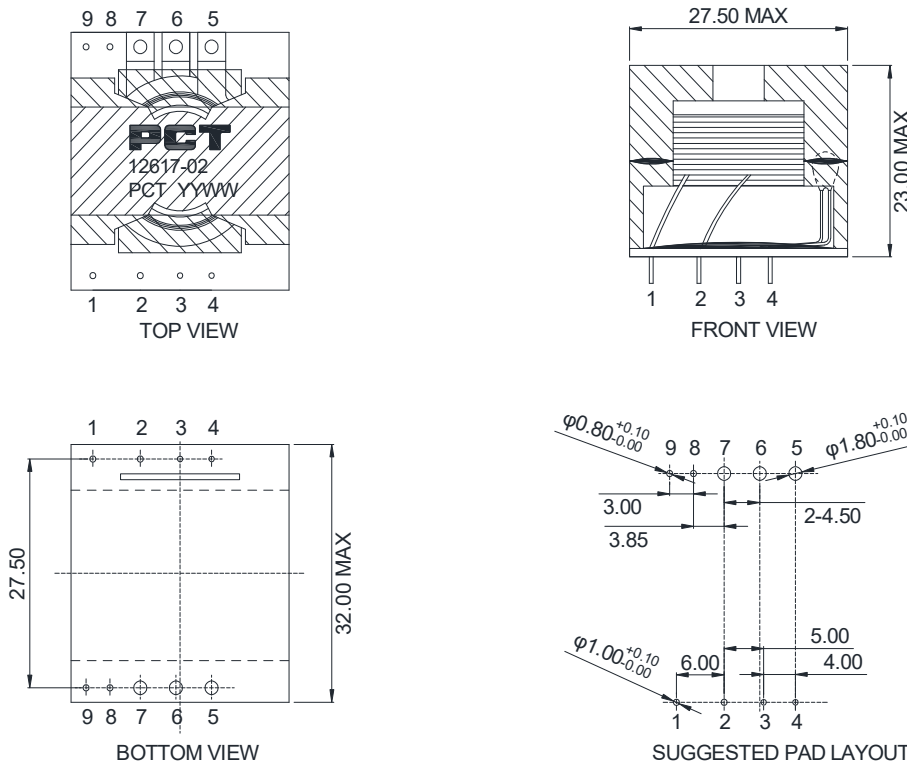
3. Picture 图片



4. Schematic 原理图



5. Dimension (Unit: mm) 外形尺寸



6. Electrical Characteristics 电气特性

Electrical Specifications@25°C									
Part NO.	Output power(W)	Inductance (uH) 100KHz,0.3V	Lk(uH)MAX 100KHz,0.3V	Turns Ratio 20KHz,1V	DCR (mΩ MAX)				HI-POT(VAC) 5.0mA/3S
12617-02	400	1-2	1-2	N1:N2:N3:N4	1-2	5-6	6-7	9--8	PRI-SEC
		300.0-340.0	9.0	1:0.28:0.28:0.12	130.0	6.5	6.5	15.0	3750