

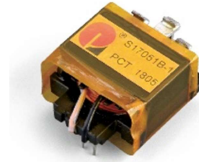
1. Application 用途

- ◆ Industrial, Automotive and so on

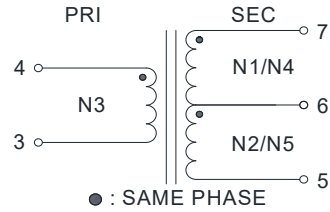
2. Features 特性

- ◆ Comply with AEC-Q200, IEC62368
- ◆ ≥98% Efficiency
- ◆ ROHS、Reach Compliant
- ◆ Operating Temperature Range: -40°C to +155°C

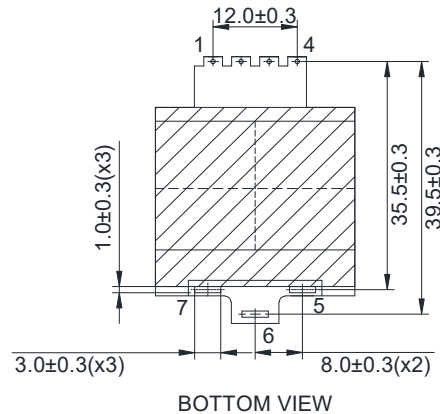
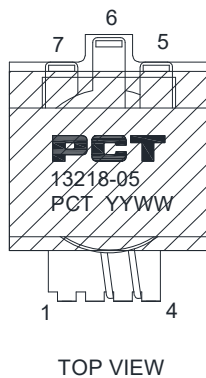
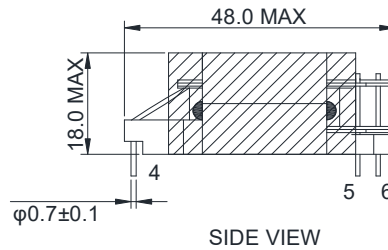
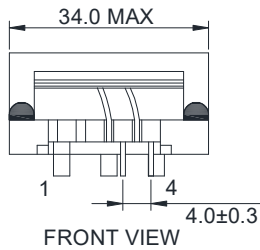
3. Picture 图片



4. Schematic 原理图



5. Dimension (Unit: mm) 外形尺寸



6. Electrical Characteristics 电气特性

Electrical Specifications@25°C									
Part NO.	Output power(W)	Inductance(mH) 100KHz, 1V	Lk(uH)MAX 100KHz, 1V	Turns Ratio 20KHz, 1V	DCR (mΩ MAX)			HI-POT(VAC) 2.0mA/3S	
13218-05	500	4-3	4-3	N3:N1/N2:N4/N5	4-3	/	/	PRI-SEC	
		1.0±7%/	20.0	1:0.032:0.032	150.0	/	/	3600	