

1. Application 用途

- ◆ Industrial and so on

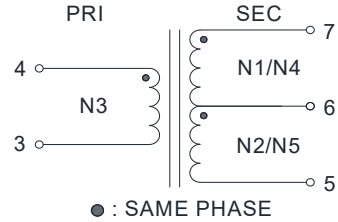
2. Features 特性

- ◆ Comply with AEC-Q200, IEC62368
- ◆ $\geq 98\%$ Efficiency
- ◆ ROHS、Reach Compliant
- ◆ Operating Temperature Range: -40°C to $+155^{\circ}\text{C}$

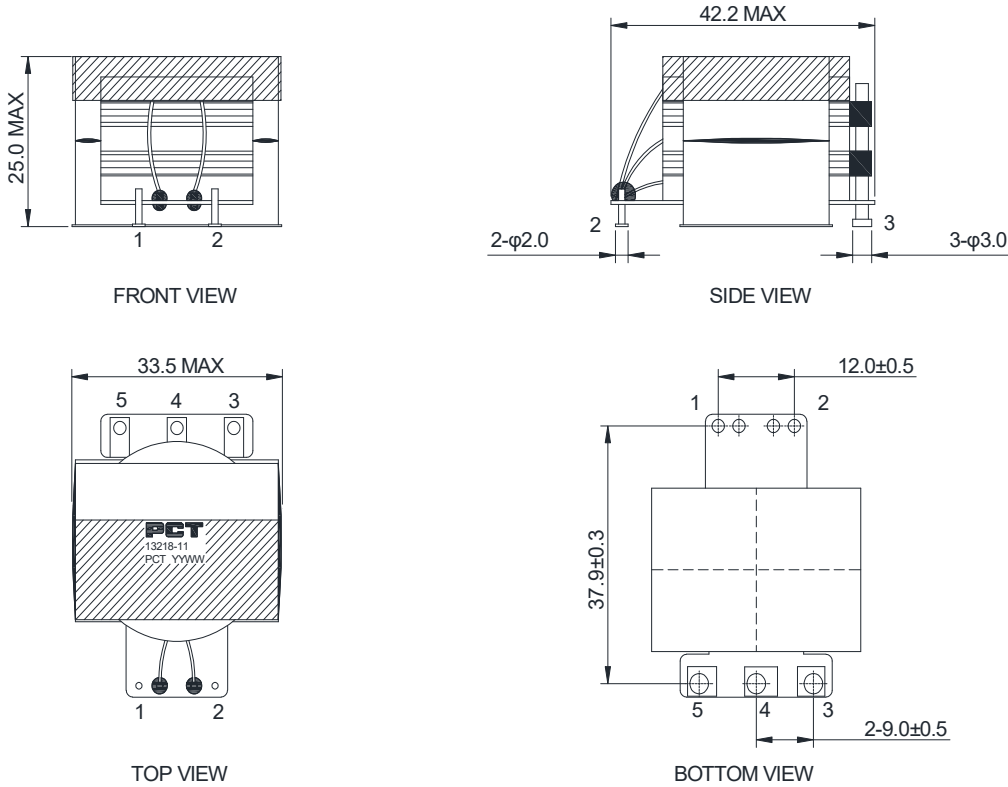
3. Picture 图片



4. Schematic 原理图



5. Dimension (Unit: mm) 外形尺寸



6. Electrical Characteristics 电气特性

Electrical Specifications@25°C

Part NO.	Output power(W)	Inductance(mH)	Lk(uH)	Turns Ratio	DCR				HI-POT(VAC)
		100KHz,0.3V	100KHz,1V	100KHz,1V	(mΩ MAX)				1.0mA/3S
13218-11	1000	1-2	/	N3:N1:N2	1-2	5-4	4-3	/	PRI-SEC
		300.0±5%	/	1:0.185:0.185	45.0	3.5	3.5	/	4500