

1. Application 用途

- ◆ Industrial, Automotive and so on

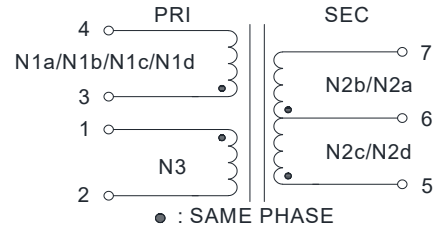
2. Features 特性

- ◆ Comply with AEC-Q200, IEC62368
- ◆ $\geq 98\%$ Efficiency
- ◆ ROHS, Reach Compliant
- ◆ Operating Temperature Range: -40°C to $+155^{\circ}\text{C}$

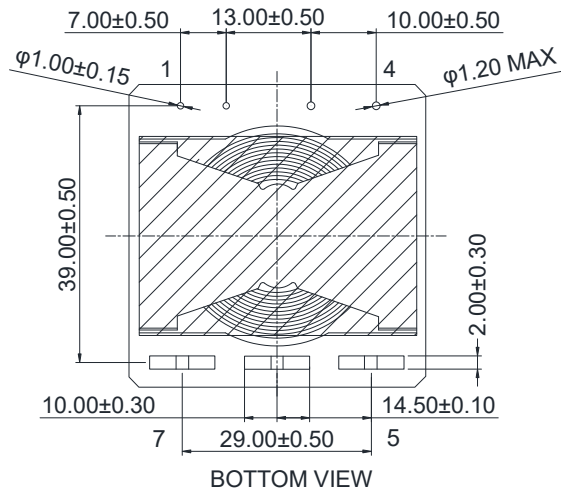
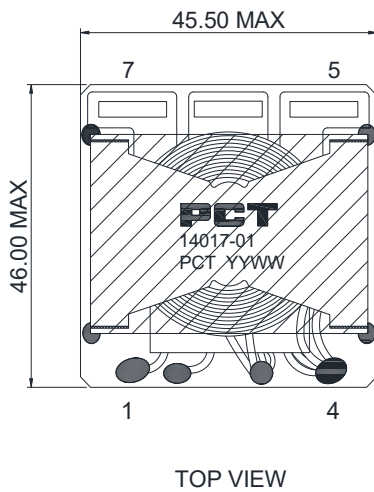
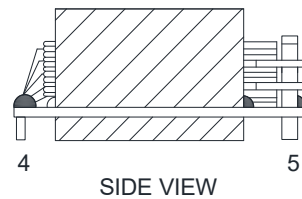
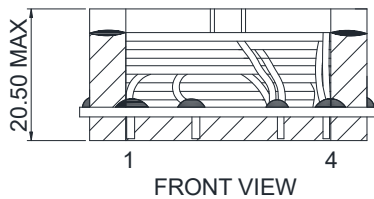
3. Picture 图片



4. Schematic 原理图



5. Dimension (Unit: mm) 外形尺寸



6. Electrical Characteristics 电气特性

Electrical Specifications@25°C

Part NO.	Output power(W)	Inductance (uH)	Lk(uH)MAX	Turns Ratio	DCR				HI-POT(VAC)
		100KHz, 1V	100KHz, 1V		20KHz, 1V	(mΩ MAX)			
14017-01	1200	3-4	3-4	5-6:6-7:1-2:3-4	1-2	3-4	5-6	6-7	N1,N3-N2
		1300±10%	7.0	0.033 : 0.067 : 1	19.0	126.0	0.35	0.35	3600