

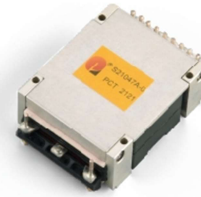
1. Application 用途

- ◆ Industrial, Automotive and so on

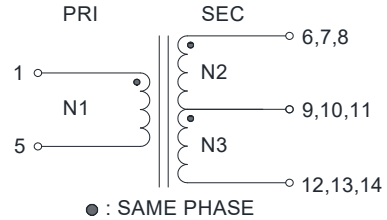
2. Features 特性

- ◆ Multilayer combination and flattened design
- ◆ Comply with AEC-Q200, IEC62368
- ◆ ≥98% Efficiency
- ◆ ROHS、Reach Compliant
- ◆ Operating Temperature Range: -40°C to +155°C

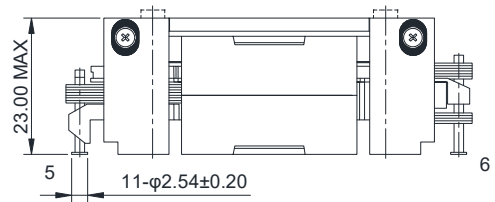
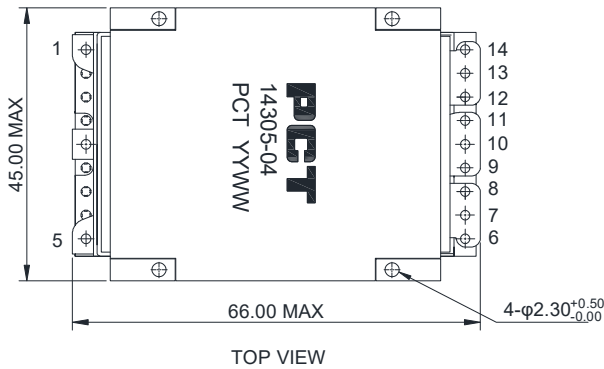
3. Picture 图片



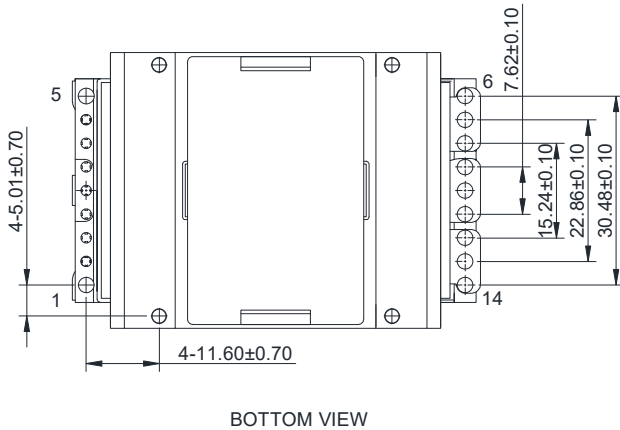
4. Schematic 原理图



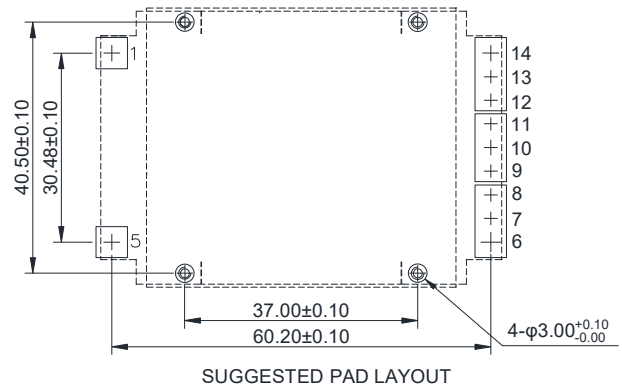
5. Dimension (Unit: mm) 外形尺寸



SIDE VIEW



BOTTOM VIEW



SUGGESTED PAD LAYOUT

6. Electrical Characteristics 电气特性

Electrical Specifications@25°C

Part NO.	Output power(W)	Inductance(uH) 100KHz,0.5V	Lk(uH) MAX 100KHz,0.5V	Turns Ratio 100KHz,1V	DCR (mΩ MAX)				HI-POT(VAC) 0.01~0.2mA/3S
					1-5	6-14	/	/	
14305-04	2500	1-5	1-5	N1:N2:N3	1-5	6-14	/	/	1-14+CORE
		186.0 MIN	0.6	1:0.33:0.33	4.7	1.4	/	/	2000