

## 1. Application 用途

- ◆ Consume and so on

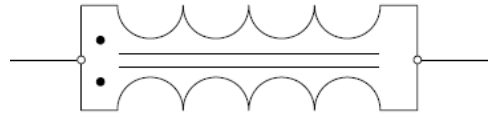
## 2. Features 特性

- ◆ Through hole design
- ◆ Comply with IEC60335,IEC62368
- ◆  $\geq 95\%$  Efficiency
- ◆ ROHS、Reach Compliant
- ◆ Operating Temperature Range:  $-40^{\circ}\text{C}$  to  $+130^{\circ}\text{C}$

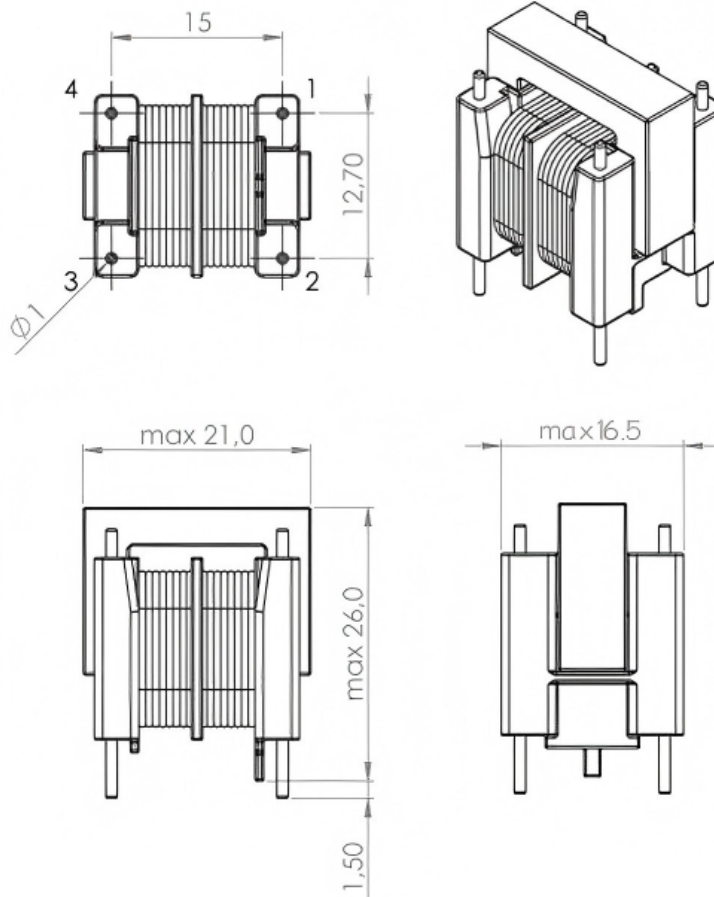
## 3. Picture 图片



## 4. Schematic 原理图



## 5. Dimension (Unit: mm) 外形尺寸



## 6. Electrical Characteristics 电气特性

Electrical Specifications @25°C

Part NO.	Output power(W)	Inductance (mH)		Lk(uH)	Turns Ratio	DCR				HI-POT(VAC)
		1KHz,1V	3-4	1KHz,1V	20KHz,1V	(mΩ MAX)				mA/3S
1579016-0735	0.5	2-1	3-4	/	2-1:3-4	2-1	3-4	/	/	/
		0.68±35%	0.68±35%	/	1:1	99	99	/	/	/