

## 1. Application 用途

- ◆ Industrial, Automotive and so on

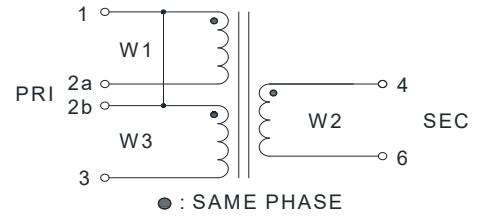
## 2. Features 特性

- ◆ Comply with AEC-Q200, IEC62368
- ◆ ≥98% Efficiency
- ◆ ROHS、Reach Compliant
- ◆ Operating Temperature Range: -40°C to +180°C

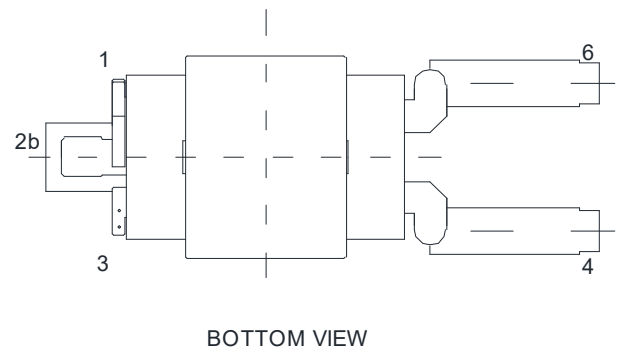
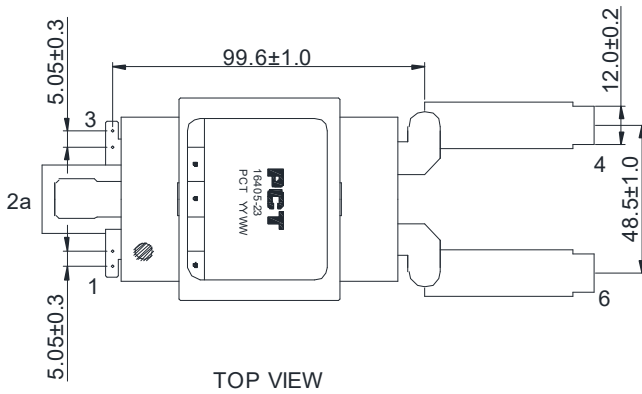
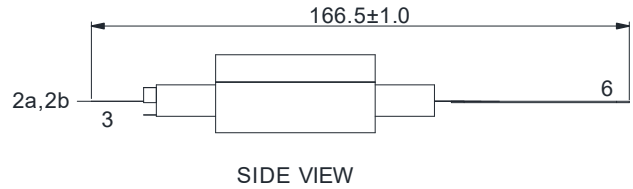
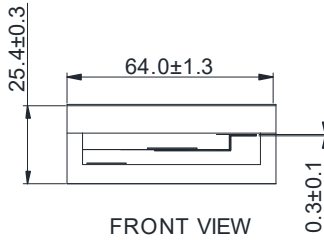
## 3. Picture 图片



## 4. Schematic 原理图



## 5. Dimension (Unit: mm) 外形尺寸



## 6. Electrical Characteristics 电气特性

Electrical Specifications@25°C

Part NO.	Output power(W)	Inductance (uH)		Lk(uH)	Turns Ratio	DCR				HI-POT(VAC)
		10KHz, 1V	10KHz, 1V			(mΩ MAX)				
16405-23	8000	1-2a	2b-3	/	(W1+W3):W2	/	/	/	/	1-6
		338.0~550.0	235.0~382.0	/	1 : 0.273	/	/	/	/	4000