

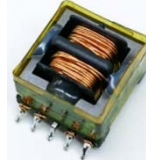
1. Application 用途

- ◆ Automotive DC-DC

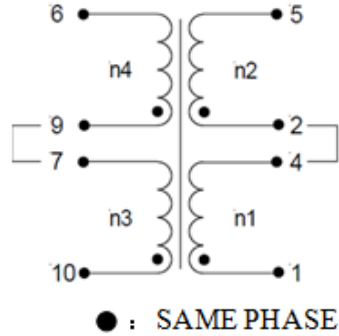
2. Features 特性

- ◆ Hi-Pot: 4400 VAC
- ◆ Basic insulation comply with IEC 60664, IEC62368, AEC-Q200
- ◆ ROHS、Reach Compliant
- ◆ Operating Temperature Range: -40°C to +130°C

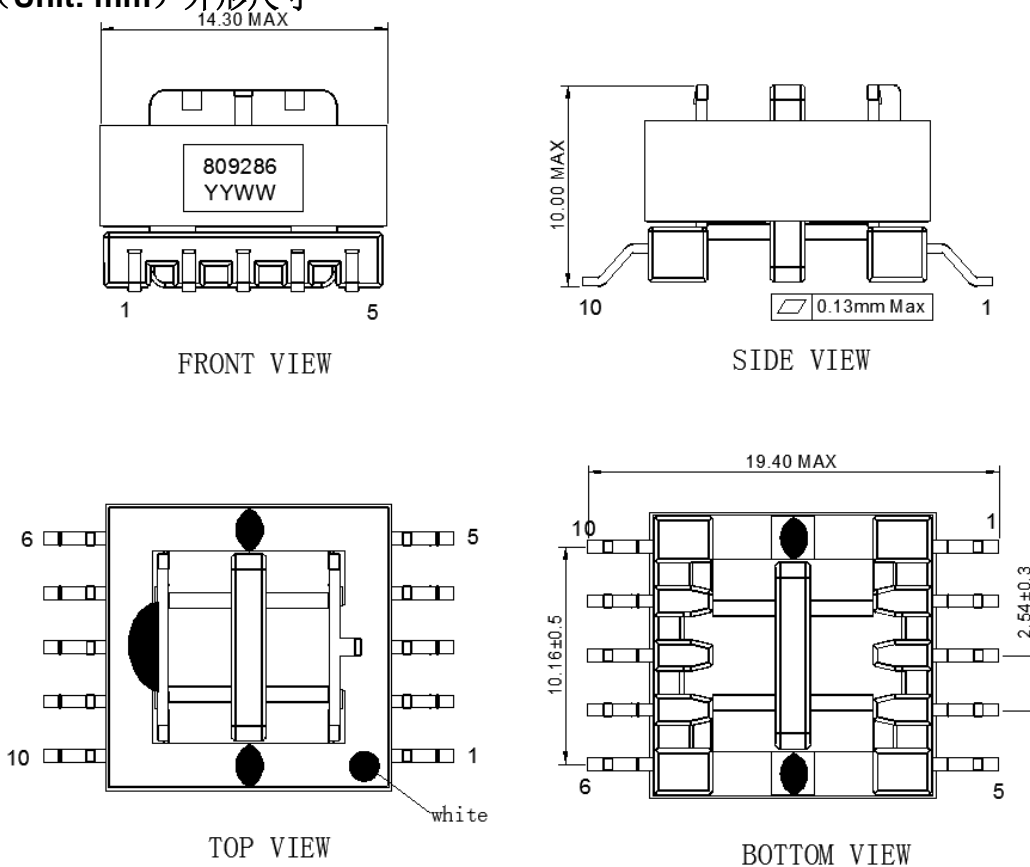
3. Picture 图片



4. Schematic 原理图



5. Dimension (Unit: mm) 外形尺寸



6. Electrical Characteristics 电气特性

Electrical Specifications @25°C							
Part NO.	Output power(W)	Inductance(uH) 100KHz,1V	Inductance(uH) 100KHz,1V	Turns Ratio 20KHz,1V	DCR (mΩ MAX)		HI-POT 1mA/3S
S24011A-1	20	1~5	10~6	10-7:9-6:2-5:1-4	1~5	10~6	/
		620	800	15:15:13:13	500	500	/
							PRI-SEC 4400 VAC