

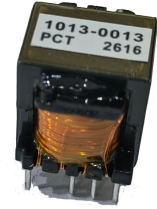
1. Application 用途

- ◆ Industrial, New energy and so on

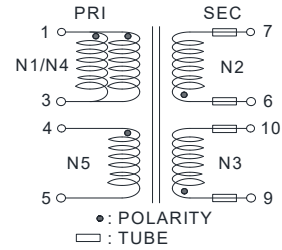
2. Features 特性

- ◆ Comply with IEC62368-1
- ◆ ≥85% Efficiency
- ◆ ROHS、Reach Compliant
- ◆ Operating Temperature Range: -40°C to +125°C

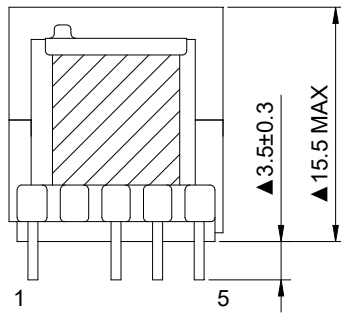
3. Picture 图片



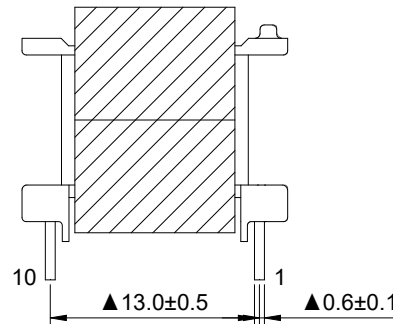
4. Schematic 原理图



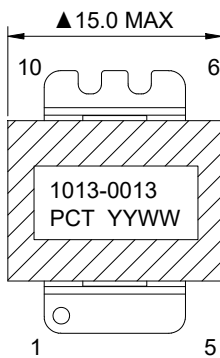
5. Dimension (Unit: mm) 外形尺寸



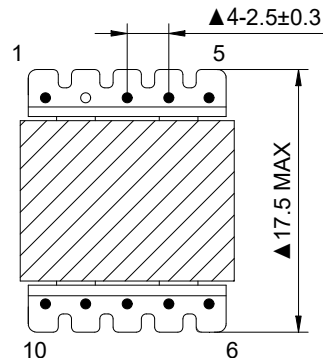
FRONT VIEW



SIDE VIEW



TOP VIEW



BOTTOM VIEW

6. Electrical Characteristics 电气特性

Electrical Specifications@25°C

Part NO.	Output power(W)	Inductance (uH)	Lk(uH) MAX	Turns Ratio	DCR				HI-POT(VAC) 1mA/3S
		200KHz,0.1V	200KHz,0.1V		20KHz,1V	(mΩ MAX)			
2211013-0013	25	1-3	1-3	N1/4: N2:N3:N5	1-3	4-5	6-7	9-10	PIR-SEC
		45±7%	1.0	1:0.41:0.41:0.36	160	115	60	60	1.5KV