

1. Application 用途

- ◆ Industrial

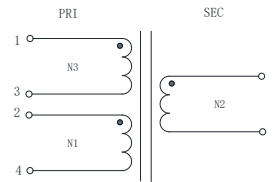
2. Features 特性

- ◆ Comply with IEC62368
- ◆ $\geq 98\%$ Efficiency
- ◆ ROHS、Reach Compliant
- ◆ Operating Temperature Range: -40°C to $+125^{\circ}\text{C}$

3. Picture 图片

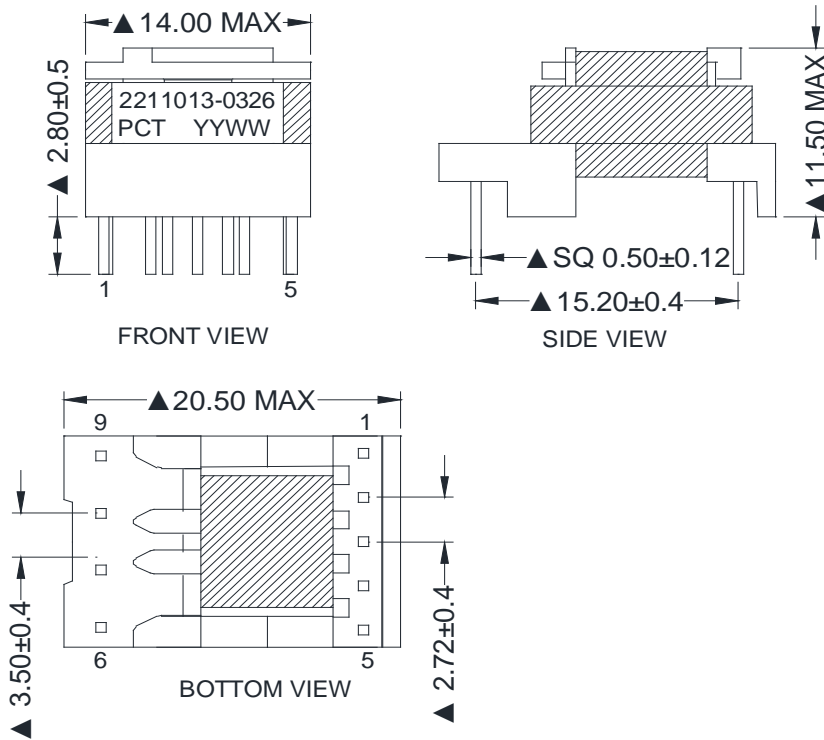


4. Schematic 原理图



● : SAME PHASE

5. Dimension (Unit: mm) 外形尺寸



6. Electrical Characteristics 电气特性

Electrical Specifications @ 25°C

Part NO.	Output power(W)	Inductance (uH)	Lk(uH)	Turns Ratio	DCR				HI-POT(VAC) 5mA/60S
		100KHz,0.01V	100KHz,0.1V		(mΩ MAX)				
2211013-0326	80	1-4	/	N1:N2:N3	2-4	1-3	7-8	/	PRI-SEC
		260.0 MIN	0.8	1.125:1.625 :1	35	45	85	/	4000