

## 1. Application 用途

- ◆ Industrial

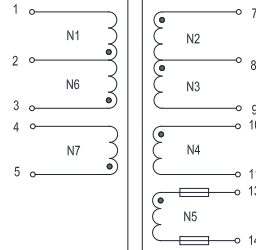
## 2. Features 特性

- ◆ Hi-Pot: 3000 VAC
- ◆ Comply with IEC62368
- ◆ ≥98% Efficiency
- ◆ ROHS、Reach Compliant
- ◆ Operating Temperature Range: -40°C to +125°C

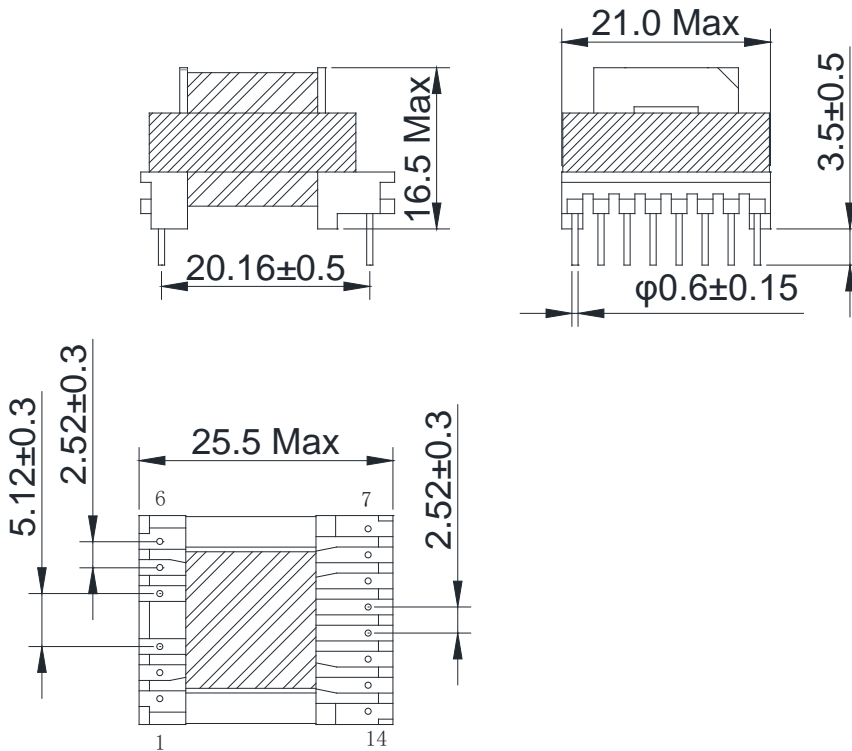
## 3. Picture 图片



## 4. Schematic 原理图



## 5. Dimension (Unit: mm) 外形尺寸



## 6. Electrical Characteristics 电气特性

Electrical Specifications@25°C

Part NO.	Output power(W)	Inductance (uH) 200KHz,1V	Lk(uH) 200KHz,1V	Turns Ratio 20KHz,1V	DCR (mΩ MAX)						HI-POT(VAC) 5mA/60S
					3-1	5-4	7-8	8-9	10-11	13-14	
2211020-0719	16	3-1	3-1	N1+N6:N2:N3: N4:N5:N7	3-1	5-4	7-8	8-9	10-11	13-14	PRI-SEC
		250.0 MIN	10	6.86:3:1..29:1 :1.29	625	293	109	61	126	108	3000