

1. Application 用途

- ◆ New energy, Industrial and so on

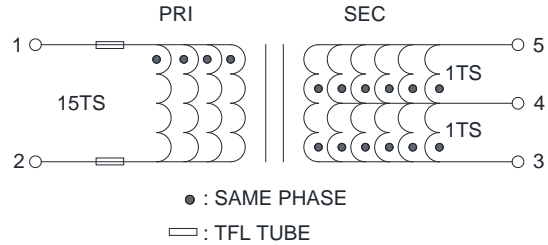
2. Features 特性

- ◆ Comply with IEC60335, IEC62368
- ◆ ≥95% Efficiency
- ◆ ROHS、Reach Compliant
- ◆ Operating Temperature Range: -40°C to +155°C

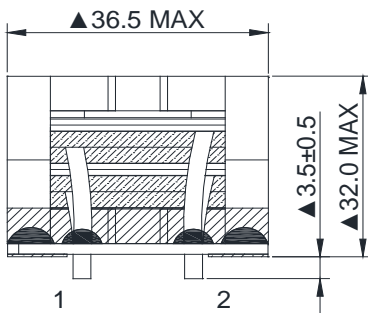
3. Picture 图片



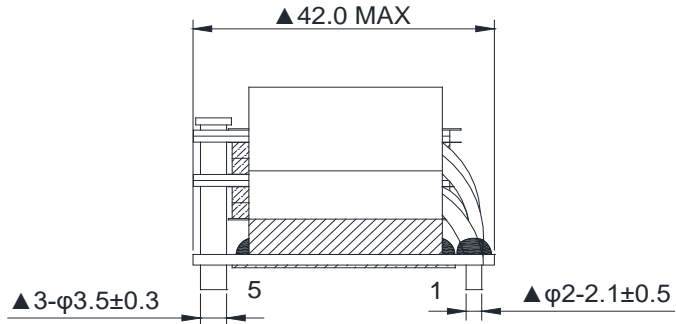
4. Schematic 原理图



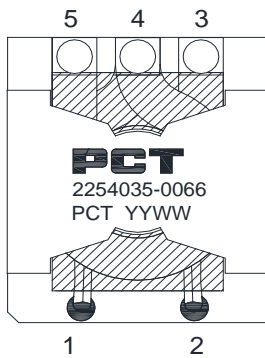
5. Dimension (Unit: mm) 外形尺寸



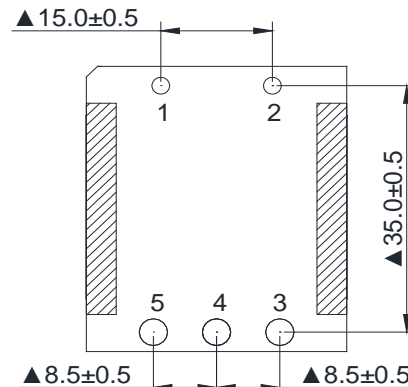
FRONT VIEW



SIDE VIEW



TOP VIEW



BOTTOM VIEW

6. Electrical Characteristics 电气特性

Electrical Specifications@25°C									
Part NO.	Output power(W)	Inductance(uH)) 100KHz,1V	Lk(uH)MAX 100KHz,1V	Turns Ratio 100KHz,1V	DCR (mΩ MAX)				HI-POT(VAC) 5mA/60S
2254035-0066	1500	1-2	1-2	N1:N2:N3	1-2	3-4	4-5	/	PRI-SEC
		110	2	1:0.067:0.067	18	0.3	0.3	/	2000