

## 1. Application 用途

- ◆ Industrial, New energy and so on

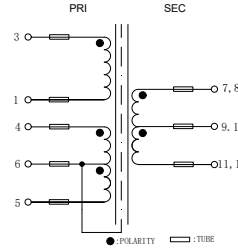
## 2. Features 特性

- ◆ Comply with IEC62368-1
- ◆ ≥95% Efficiency
- ◆ ROHS、Reach Compliant
- ◆ Operating Temperature Range: -40°C to +125°C

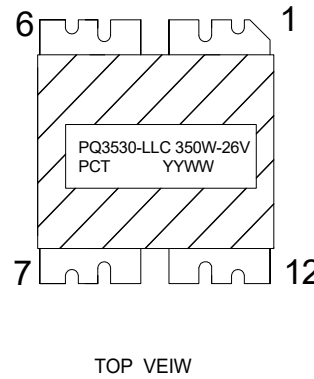
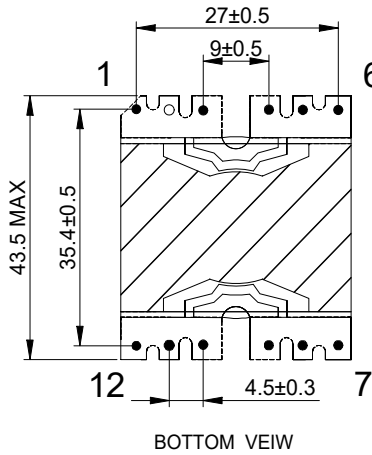
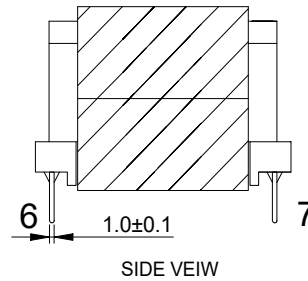
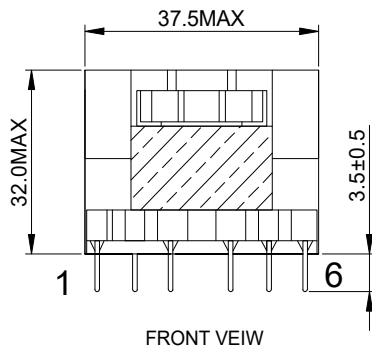
## 3. Picture 图片



## 4. Schematic 原理图



## 5. Dimension (Unit: mm) 外形尺寸



## 6. Electrical Characteristics 电气特性

Electrical Specifications@25°C

Part NO.	Output power(W)	Inductance (uH) 10KHz,0.25V	Lk(uH) MAX 10KHz,0.25V	Turns Ratio 20KHz,1V	DCR (mΩ MAX)	HI-POT(VAC) 5mA/3S
2254035-1115	350	3--1	3-1	N1:N2:N3:N4:N5	3-1	7,8-9,10 9,10-11,12
		350±5%	10.0	1:0.13:0.13:0.13:0.13	45	4.0 130