

## 1. Application 用途

- ◆ Industrial, Automotive, New energy and so on

## 2. Features 特性

- ◆ High current and flattened design
- ◆ ROHS、Reach Compliant
- ◆ Operating Temperature Range: -40°C to +155°C

## 3. Picture 图片

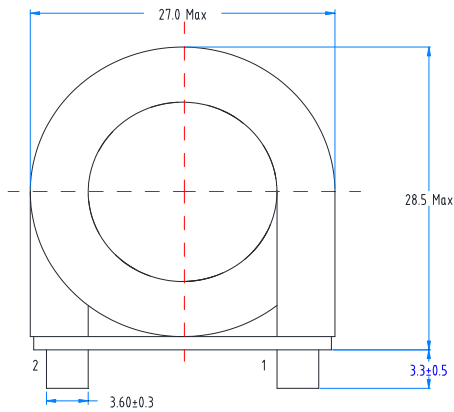


## 4. Schematic 原理图

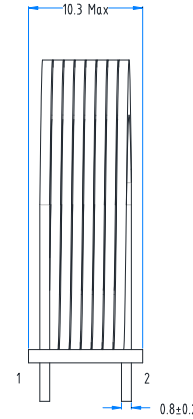


## 5. Dimension (Unit: mm) 外形尺寸

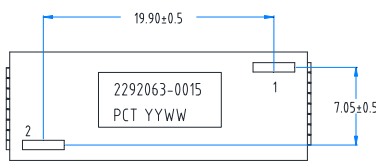
## 6. Electrical Characteristics 电气特性



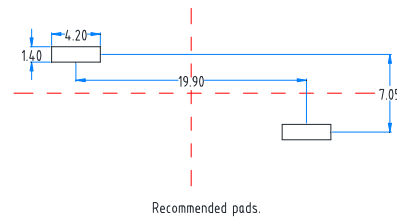
FRONT VIEW



FRONT VIEW



BOTTOM VIEW



Electrical Specifications@25°C

Part NO.	Inductance (uH) 100KHz,1V	Work Current(A)	Turns Ratio 20KHz,1V	DCR (mΩ MAX)	HI-POT(VAC) 1mA/60s
2292063-0015	1-2	/	N1	1-2	-
	1.05±30%	63	/	3.5	-