

1. Application 用途

- ◆ Industrial, New energy and so on

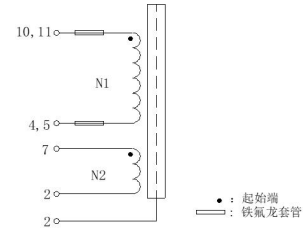
2. Features 特性

- ◆ PFC Choke coil.
- ◆ ROHS、Reach Compliant
- ◆ Operating Temperature Range: -40°C to +125°C

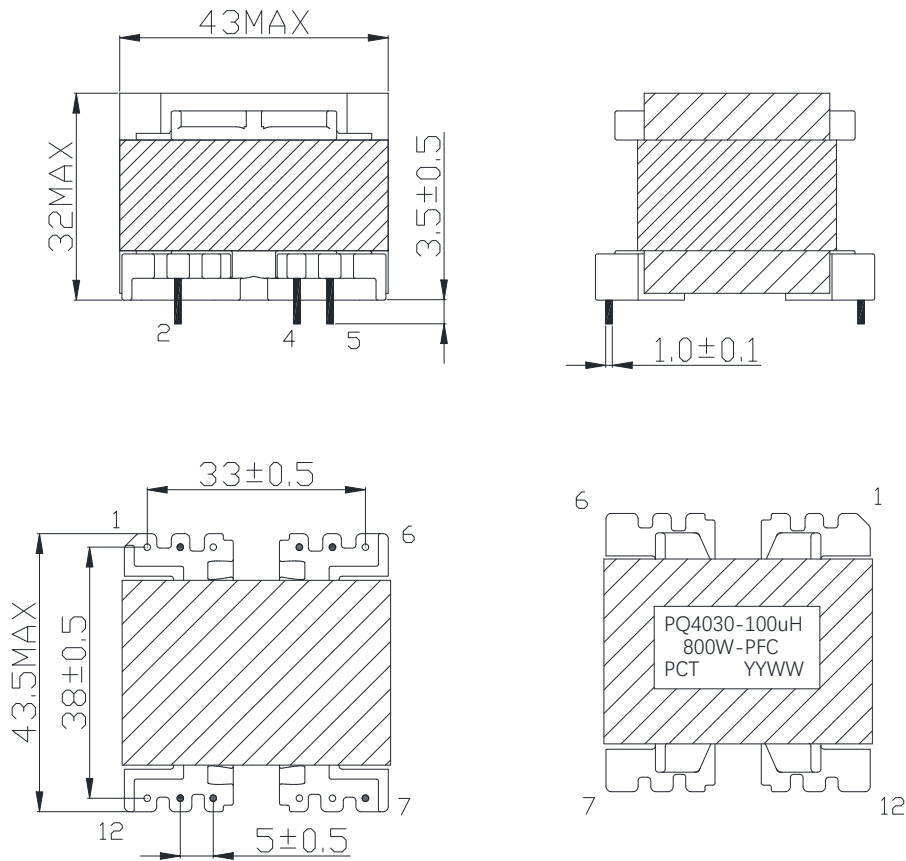
3. Picture 图片



4. Schematic 原理图



5. Dimension (Unit: mm) 外形尺寸



6. Electrical Characteristics 电气特性

Electrical Specifications@25°C

Part NO.	Inductance (uH) 100KHz, 1V	Turns Ratio 20KHz, 1V	DCR (mΩ MAX)		HI-POT(VAC) 1mA/60s
			10, 11 – 4, 5	7-2	
2454040-0873	10, 11 – 4, 5	N1:N2	10, 11 – 4, 5	7-2	COIL-CORE
	100±7	1:0.07	36	190	1000