

1. Application 用途

- ◆ Industrial, medical and so on

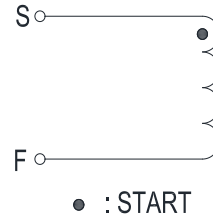
2. Features 特性

- ◆ Storage conditions: -40°C~+85°C.
- ◆ ROHS、Reach Compliant
- ◆ Operating Temperature Range: -40°C to +125°C

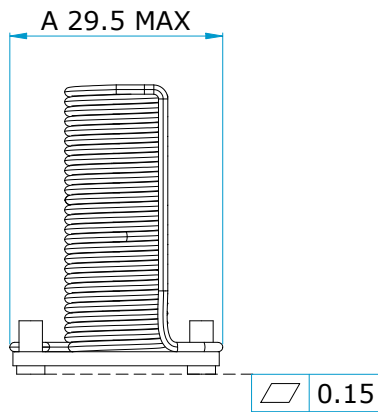
3. Picture 图片



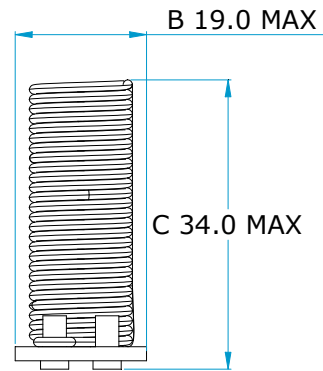
4. Schematic 原理图



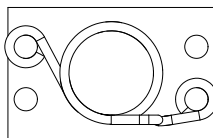
5. Dimension (Unit: mm) 外形尺寸



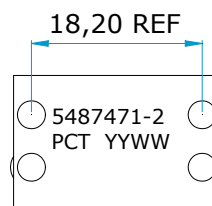
SIDE VIEW



FRONT VIEW



TOP VIEW



BOTTOM VIEW

3. Electrical Characteristics 电气特性

Electrical Specifications@25°C

Part NO.	Inductance (uH) 10MHz,1V	Work Current(A)	Turns Ratio 20KHz,1V	DCR (mΩ MAX)	HI-POT(VAC) 1mA/60s
2475026-0550-1	1-2	/	N1	1-2	-
	3.1±20%	8	/	61	-