

1. Application 用途

- ◆ Industrial, New energy and so on

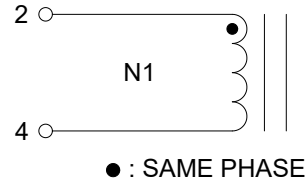
2. Features 特性

- ◆ Through hole design
- ◆ Comply with IEC62368
- ◆ ≥98% Efficiency
- ◆ ROHS、Reach Compliant
- ◆ Operating Temperature Range: -40°C to +155°C

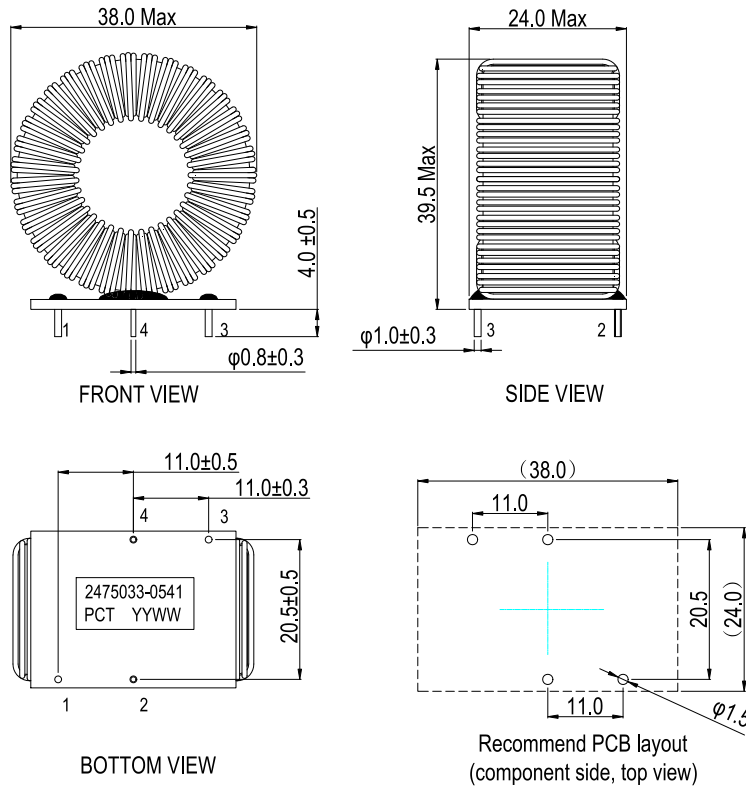
3. Picture 图片



4. Schematic 原理图



5. Dimension (Unit: mm) 外形尺寸



6. Electrical Characteristics 电气特性

Electrical Specifications@25°C									
Part NO.	Inductance (mH)		Lk(μH)	Turns Ratio	DCR			HI-POT(VAC)	
	20KHz, 1V		1KHz, 1V	20KHz, 1V	(Ω MAX)			5mA/3S	
2475033-0541	2-4		/	N1:N2	2-4	/	/	/	COIL - CORE
	2.2±15%		/	/	0.35	/	/	/	500