

## 1. Application 用途

- ◆ Industrial, New energy and so on

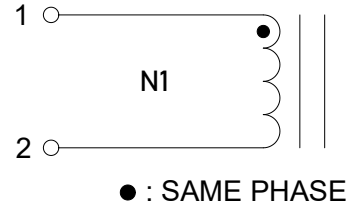
## 2. Features 特性

- ◆ Through hole design
- ◆ Comply with IEC62368
- ◆ ≥98% Efficiency
- ◆ ROHS、Reach Compliant
- ◆ Operating Temperature Range: -40°C to +155°C

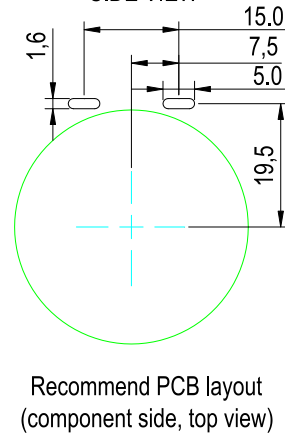
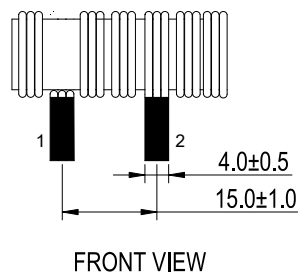
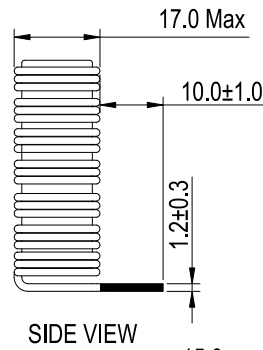
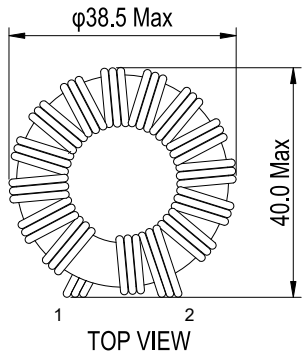
## 3. Picture 图片



## 4. Schematic 原理图



## 5. Dimension (Unit: mm) 外形尺寸



## 6. Electrical Characteristic 电气特性

Electrical Specifications@25°C

Part NO.	Inductance (uH)		Lk(uH)	Turns Ratio	DCR			HI-POT(VAC)
	20KHz,1V	1KHz,1V			(mΩ MAX)			
2475033-0671	1-2	/	/	N1:N2	1-2	/	/	/
	32.0±12%	/	/	/	4.5	/	/	/