

1. Application 用途

- ◆ Consume and so on

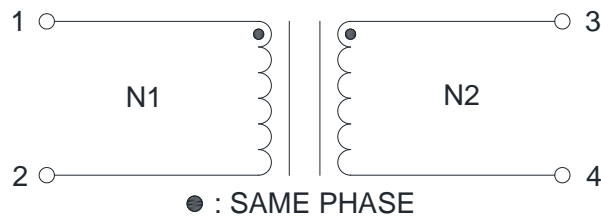
2. Features 特性

- ◆ Through hole design
- ◆ Comply with IEC60335,IEC62368
- ◆ $\geq 95\%$ Efficiency
- ◆ ROHS、Reach Compliant
- ◆ Operating Temperature Range: -40°C to $+130^{\circ}\text{C}$

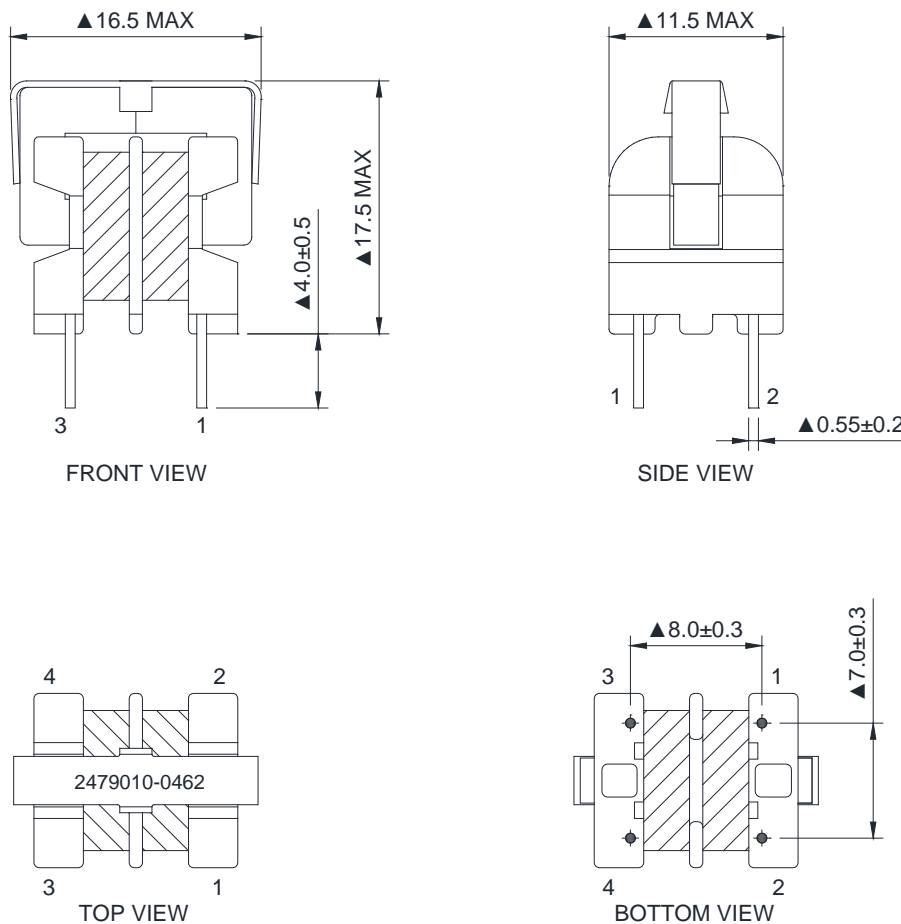
3. Picture 图片



4. Schematic 原理图



5. Dimension (Unit: mm) 外形尺寸



6. Electrical Characteristics 电气特性

Electrical Specifications @25°C

Part NO.	Output power(W)	Inductance (mH)		Lk(uH)	Turns Ratio	DCR				HI-POT(VAC)
		1KHz,1V	1KHz,1V			(mΩ MAX)				
2479010-0462	0.03	2-1	3-4	/	2-1:4-3	2-1	3-4	/	/	N1 TO N2
		17.5	17.5	/	1:1	850	850	/	/	1500