

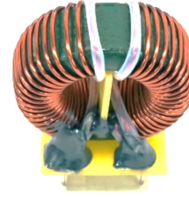
1. Application 用途

- ◆ Industrial, New energy and so on

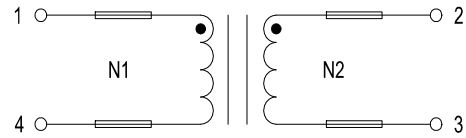
2. Features 特性

- ◆ Through hole design
- ◆ Comply with IEC62368
- ◆ ≥98% Efficiency
- ◆ ROHS、Reach Compliant
- ◆ Operating Temperature Range: -40°C to +130°C

3. Picture 图片

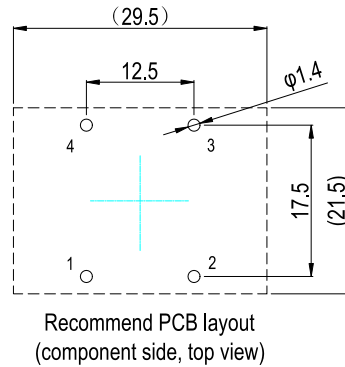
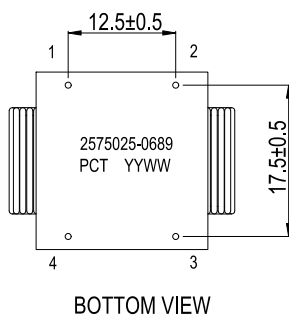
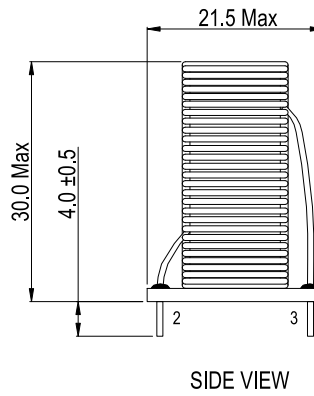
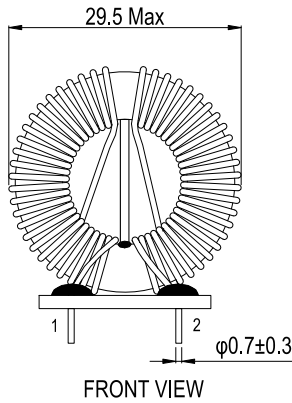


4. Schematic 原理图



● : SAME PHASE
 ━ : TFL TUBE

5. Dimension (Unit: mm) 外形尺寸



6. Electrical Characteristics 电气特性

Electrical Specifications@25°C

Part NO.	Inductance (mH)		Lk(μH)	Turns Ratio	DCR				HI-POT(VAC)
	20KHz, 1V		1KHz, 1V	20KHz, 1V	(mΩ MAX)				5mA/3S
2575025-0689	1-4	2-3	/	N1:N2	1-4	2-3	/	/	N1-N2
	6.8±30%	6.8±30%	/	1:1	75.0	75.0	/	/	1500