

1. Application 用途

- ◆ Industrial, Automotive, New energy and so on

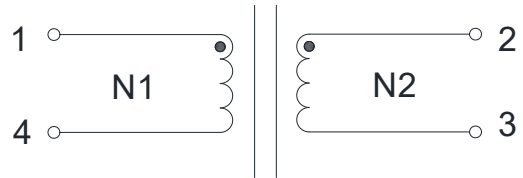
2. Features 特性

- ◆ Rated current: 40 A
- ◆ ROHS、Reach Compliant
- ◆ Operating Temperature Range: -40°C to +125°C

3. Picture 图片

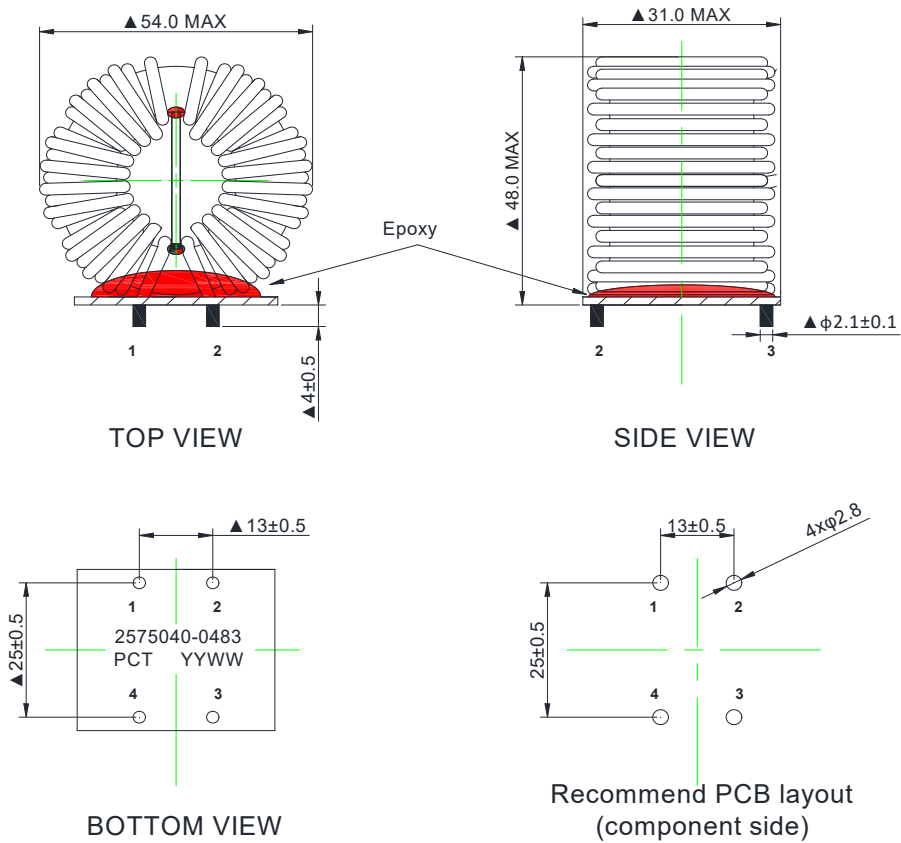


4. Schematic 原理图



● : SAME PHASE

5. Dimension (Unit: mm) 外形尺寸



6. Electrical Characteristics 电气特性

Electrical Specifications@25°C

Part NO.	Inductance (mH)		Turns Ratio	DCR		HI-POT(VAC)
	10KHz,1V	20KHz,1V		(mΩ MAX)		
2575040-0483	1-4	2-3	N1:N2	1-4	2-3	N1-N2
	22.0 MIN	22.0 MIN	1:1	8.5	8.5	1500