

## 1. Application 用途

- ◆ Industrial, medical and so on

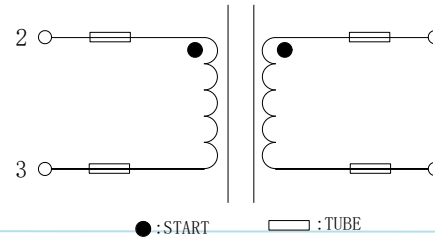
## 2. Features 特性

- ◆ Storage conditions: -40°C~+85°C.
- ◆ ROHS、Reach Compliant
- ◆ Operating Temperature Range: -40°C to +125°C

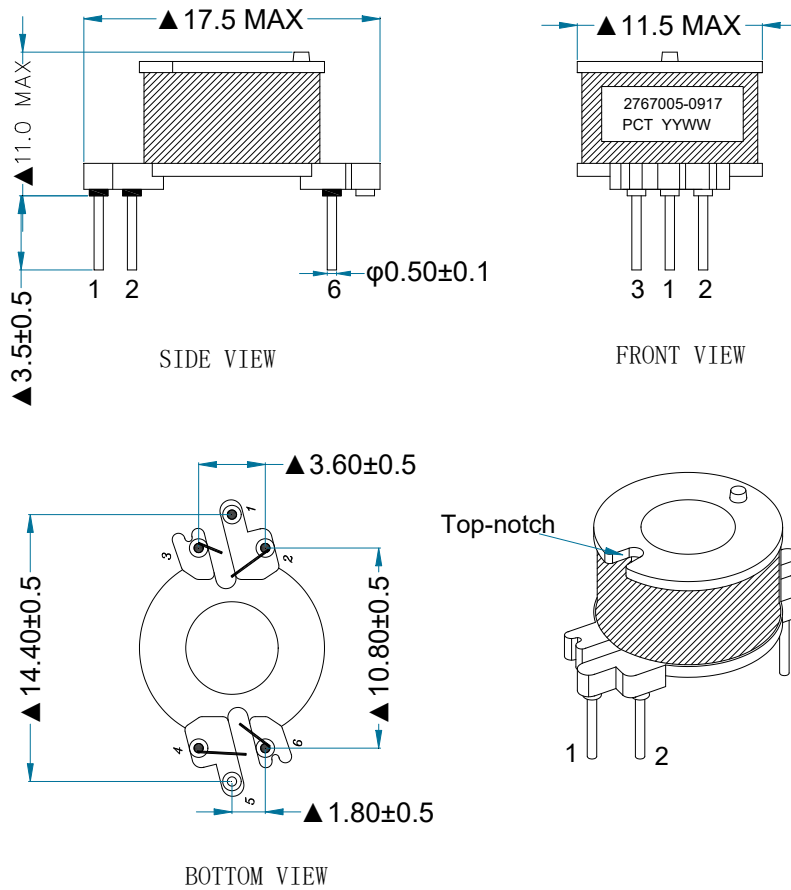
## 3. Picture 图片



## 4. Schematic 原理图



## 5. Dimension (Unit: mm) 外形尺寸



## 3. Electrical Characteristics 电气特性

Electrical Specifications@25°C

Part NO.	Work Current(mA)	Turns Ratio 20KHz, 1V	DCR (Ω MAX)		HI-POT(VDC) 1mA/60s
			2-3	6-4	
2767005-0917	/	N1:N2	2-3	6-4	N1:N2
	100	1:0.74	1.0	0.8	3000V