

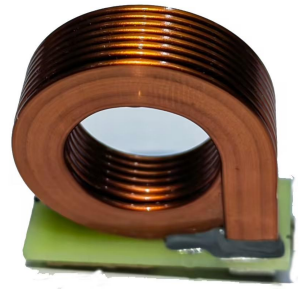
## 1. Application 用途

- ◆ Industrial, Automotive, New energy and so on

## 2. Features 特性

- ◆ High current and flattened design
- ◆ ROHS、Reach Compliant
- ◆ Operating Temperature Range: -40°C to +155°C

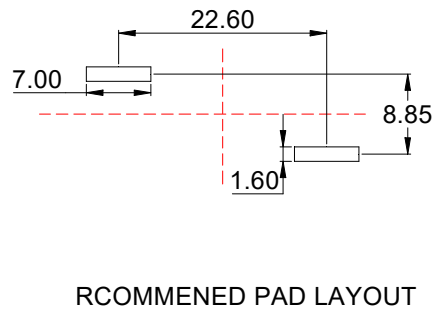
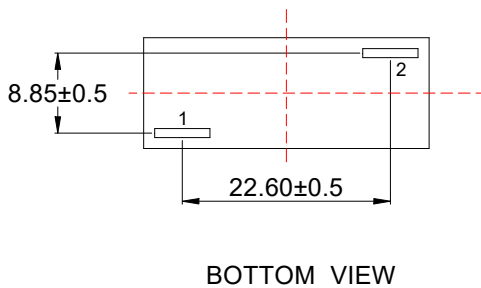
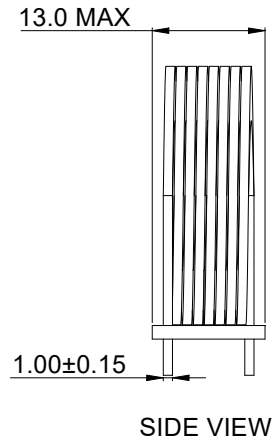
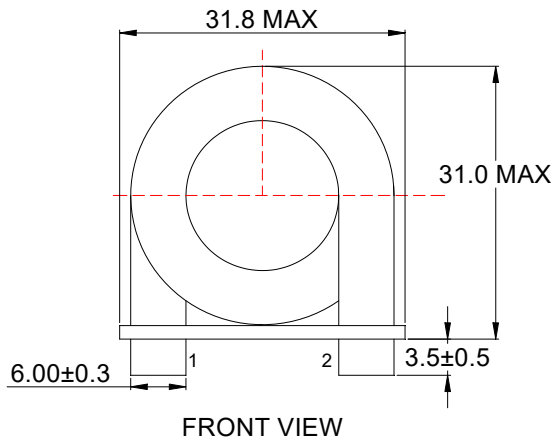
## 3. Picture 图片



## 4. Schematic 原理图



## 5. Dimension (Unit: mm) 外形尺寸



## 6. Electrical Characteristics 电气特性

Electrical Specifications@25°C

Part NO.	Inductance (uH) 100KHz,1V	Work Current(A)	Turns Ratio 20KHz,1V	DCR (mΩ MAX)	HI-POT(VAC) 1mA/60s
2793028-0718	1-2	/	N1	1-2	-
	0.92±30%	50	/	2.2	-