

1. Application 用途

- ◆ Automotive DC-DC

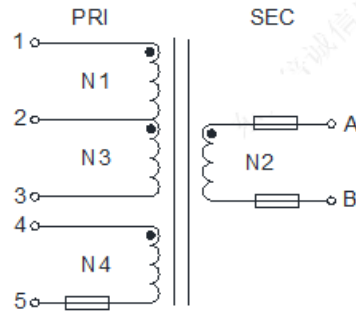
2. Features 特性

- ◆ Basic insulation comply with IEC62368,AEC-Q200
- ◆ ROHS、Reach Compliant
- ◆ Operating Temperature Range: -40℃ to +130℃

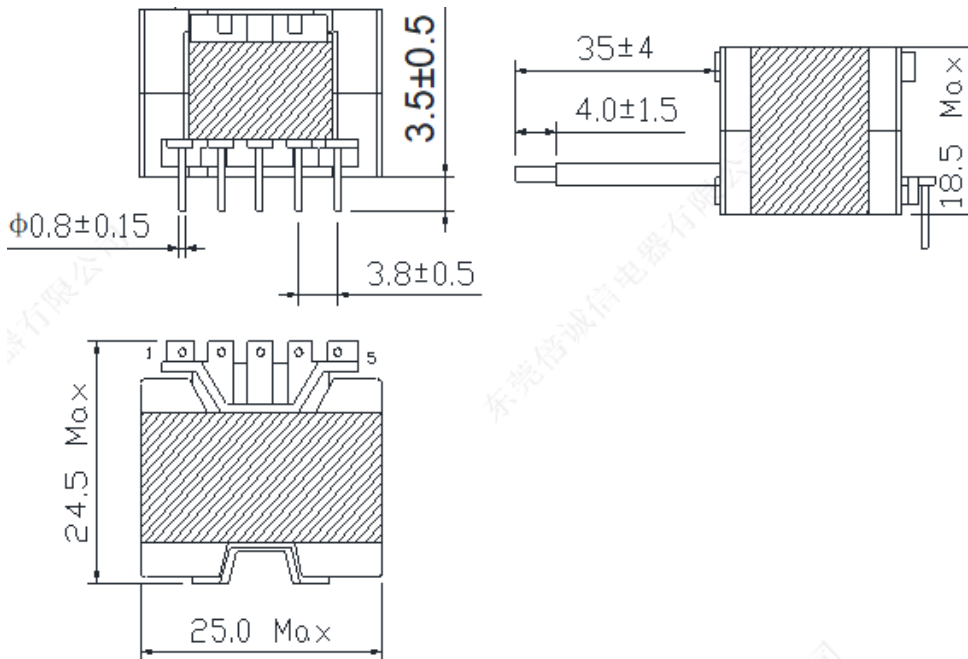
3. Picture 图片



4. Schematic 原理图



5. Dimension (Unit: mm) 外形尺寸



6. Electrical Characteristics 电气特性

Electrical Specifications@25℃								
Part NO.	Output power(W)	Inductance(uH) 10KHz,1V	Lk(uH)MAX 10KHz,1V	Turns Ratio 20KHz,1V	DCR (mΩ MAX)			HI-POT 1mA/3S
4219023-0722	60	1~3	1~3	1-3:4-5:A-B	1~3	4-5	A-B	PRI-SEC
		40	1	2.5:1:1	23	170	5.7	1500 VAC