

## 1. Application 用途

- ◆ Automotive DC-DC

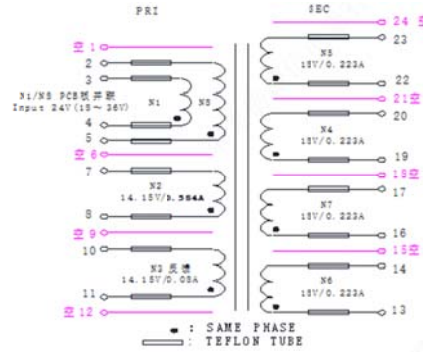
## 2. Features 特性

- ◆ Hi-Pot: 4000 VDC
- ◆ Basic insulation comply with IEC 60664, IEC62368, AEC-Q200
- ◆ ROHS、Reach Compliant
- ◆ Operating Temperature Range: -40°C to +130°C

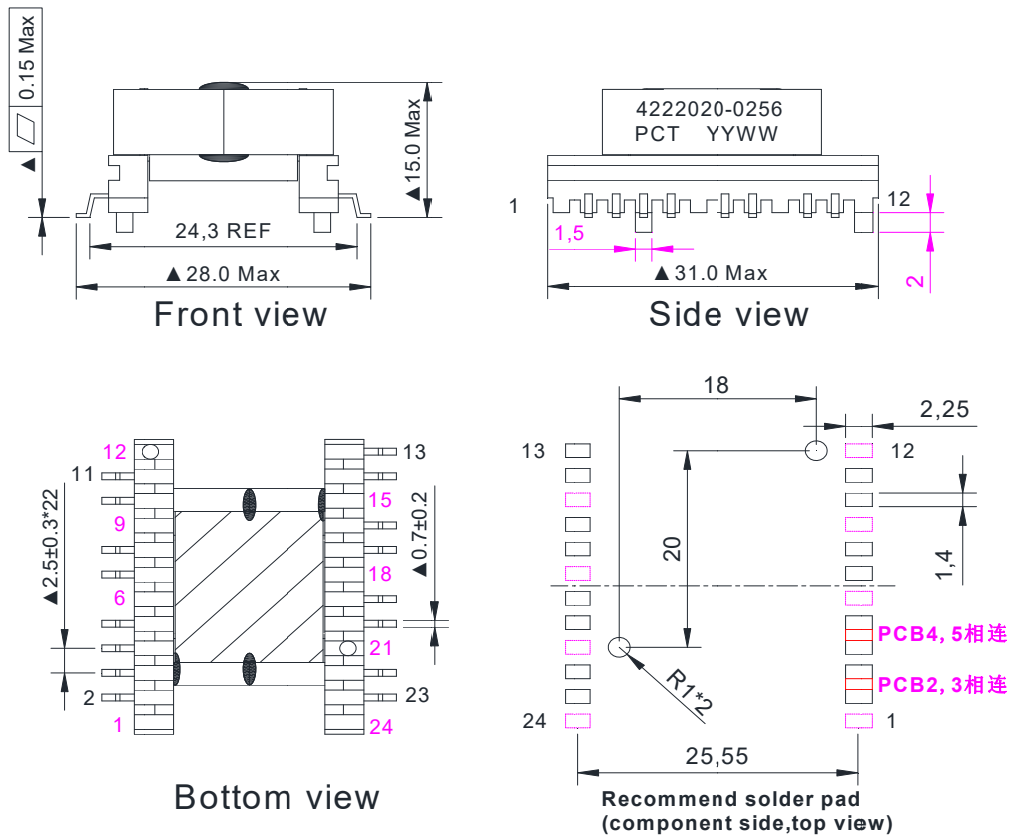
## 3. Picture 图片



## 4. Schematic 原理图



## 5. Dimension (Unit: mm) 外形尺寸



## 6. Electrical Characteristics 电气特性

Electrical Specifications@25°C									
Part NO.	Output power(W)	Inductance(uH) 100KHz,1V	Lk(uH)MAX 100KHz,1V	Turns Ratio 20KHz,1V	DCR (mΩ MAX)			HI-POT 1mA/3S	
T26034A-0	20	5/4~3/2	5/4~3/2	4-3:8-7:11-10:19-20:22 -23:13-14:16-17	4~3	8~7	11-10	PRI-SEC	
		14	0.25	12:11:11:14:14:14:14	65	90	185	4000 VDC	