

1. Application 用途

- ◆ New energy, Automotive and so on

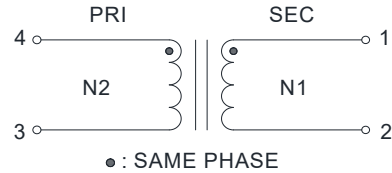
2. Features 特性

- ◆ Low profile and SMD design
- ◆ Comply with AEC-Q200, IEC62368
- ◆ ≥98% Efficiency
- ◆ ROHS、Reach Compliant
- ◆ Operating Temperature Range: -40°C to +155°C

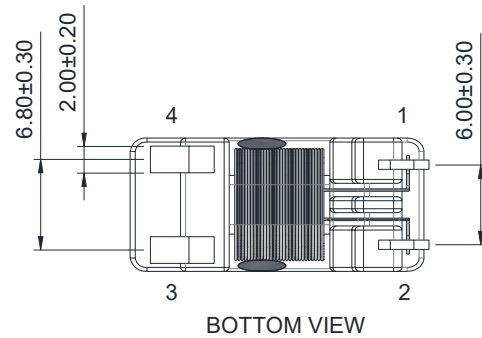
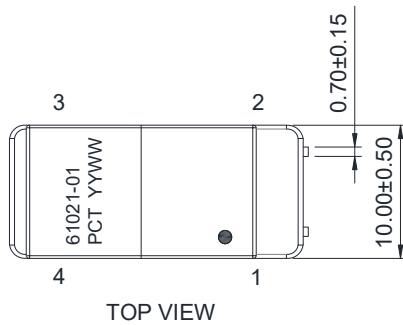
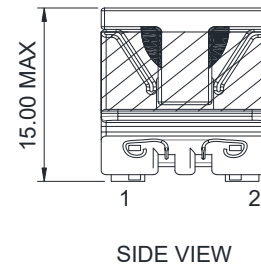
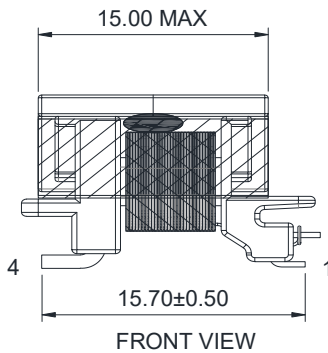
3. Picture 图片



4. Schematic 原理图



5. Dimension (Unit: mm) 外形尺寸



6. Electrical Characteristics 电气特性

Electrical Specifications@25°C

Part NO.	Inductance (mH) 100KHz, 1V		Output Current(A)	Turns Ratio 20KHz, 1V	DCR (Ω MAX)			HI-POT(VAC) 3mA/3S
	1-2	/			1-2	/	/	
61021-01	1-2	/	/	N1:N2	1-2	/	/	N1-N2
	2.4 MIN	/	20	100:1	2.5	/	/	2500