

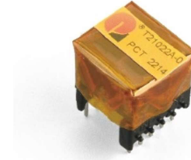
1. Application 用途

- ◆ Automotive Auxiliary Transformer

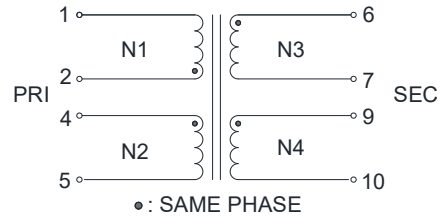
2. Features 特性

- ◆ Comply with AEC-Q200
- ◆ ≥95% Efficiency
- ◆ ROHS、Reach Compliant
- ◆ Operating Temperature Range: -40°C to +155°C

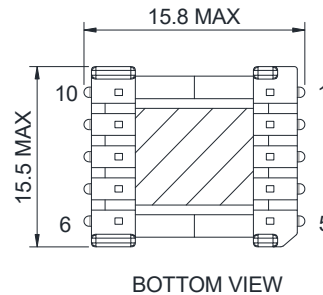
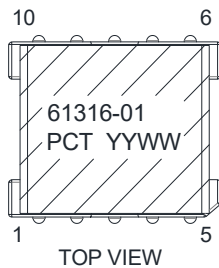
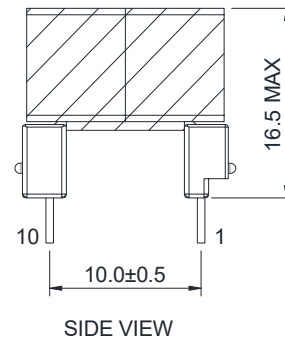
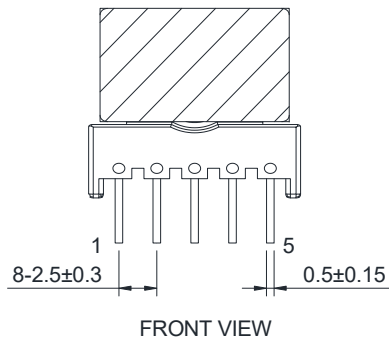
3. Picture 图片



4. Schematic 原理图



5. Dimension (Unit: mm) 外形尺寸



6. Electrical Characteristics 电气特性

Electrical Specifications@25°C

Part NO.	Output power(W)	Inductance(mH)	Lk(uH)	Turns Ratio	DCR				HI-POT(VAC)
		100KHz, 1V	100KHz, 1V	20KHz, 1V	(mΩ MAX)				3mA/3S
61316-01	10	2-1	2-1	N1:N2:N3:N4	2-1	4-5	6-7	9-10	PRI-SEC
		270.0 MIN	3.0	1 : 1.33 : 1.33 : 1.16	450.0	600.0	700.0	800.0	2500