

## 1. Application 用途

- ◆ Automotive DMC Filter Inductor

## 2. Features 特性

- ◆ Comply with AEC-Q200, IEC62368
- ◆ ROHS、Reach Compliant
- ◆ Operating Temperature Range: -40°C to +155°C

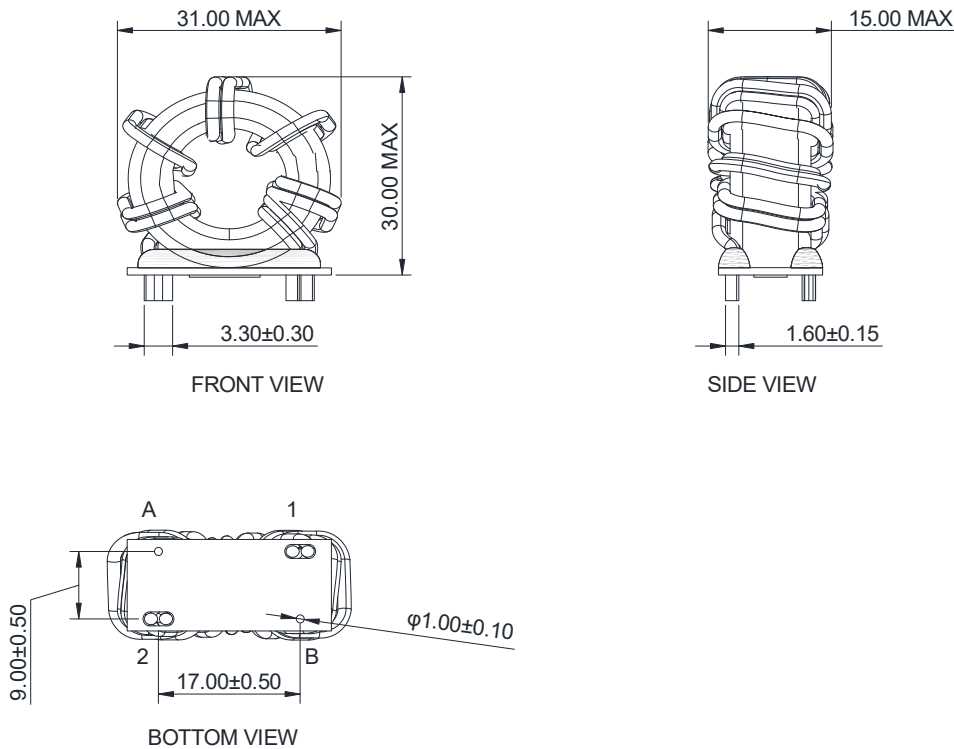
## 3. Picture 图片



## 4. Schematic 原理图



## 5. Dimension (Unit: mm) 外形尺寸



## 6. Electrical Characteristics 电气特性

Electrical Specifications@25°C

Part NO.	Inductance (uH)		Lk(uH)	Turns Ratio	DCR			HI-POT(VAC)	
	100KHz, 1V	100KHz, 1V	100KHz, 1V	100KHz, 1V	(mΩ MAX)			2mA/5S	
62315-01	1-2	/	/	N1	1-2	/	/	/	PIN1-CORE
	2.21~2.99	/	/	/	1.2	/	/	/	1000