

1. Application 用途

- ◆ Automotive Busbar Inductor

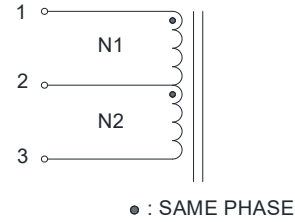
2. Features 特性

- ◆ High current and flattened design
- ◆ Comply with AEC-Q200
- ◆ ROHS、Reach Compliant
- ◆ Operating Temperature Range: -40°C to +155°C

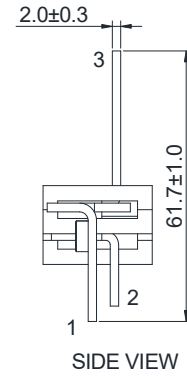
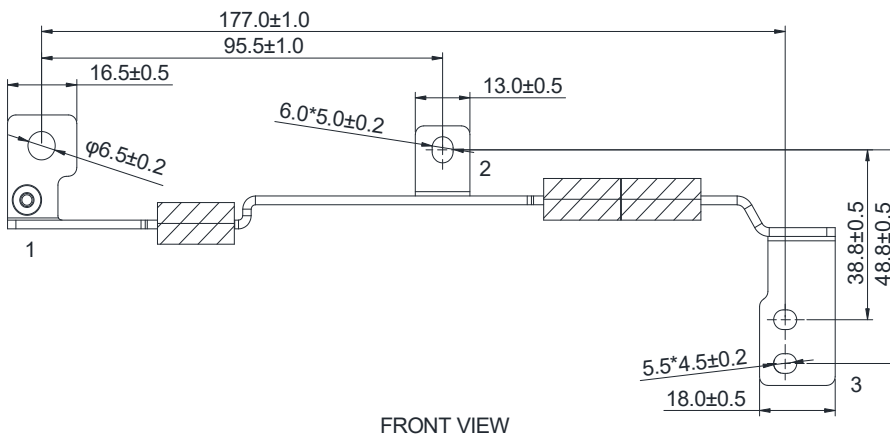
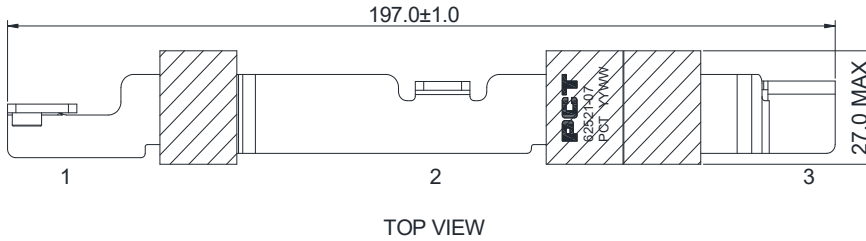
3. Picture 图片



4. Schematic 原理图



5. Dimension (Unit: mm) 外形尺寸



6. Electrical Characteristics 电气特性

Electrical Specifications@25°C

Part NO.	Inductance (uH)		Work Current(A)	Turns Ratio 20KHz,1V	DCR (mΩ MAX)				HI-POT(VAC) 0.5mA/3S
	1-2	2-3							
62521-07	1-2	2-3	/	N1:N2	/	/	/	/	/
	0.3±25%	0.45±25%	285	/	/	/	/	/	/