

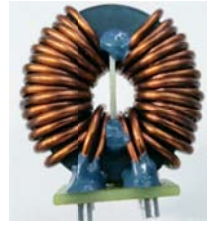
1. Application 用途

- ◆ Automotive DC-DC

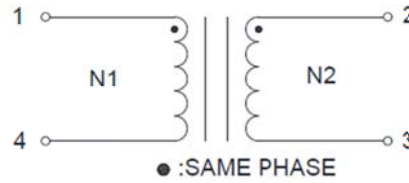
2. Features 特性

- ◆ Hi-Pot: 2200VAC
- ◆ Basic insulation comply with IEC 60664, IEC62368, AEC-Q200
- ◆ ROHS、Reach Compliant
- ◆ Operating Temperature Range: -40°C to +125°C

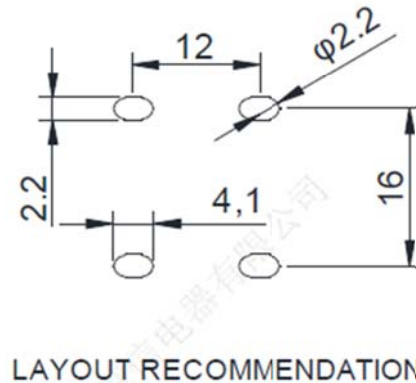
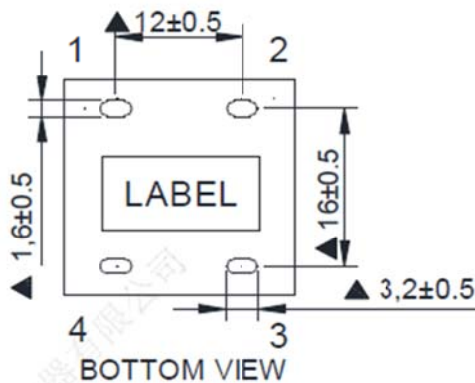
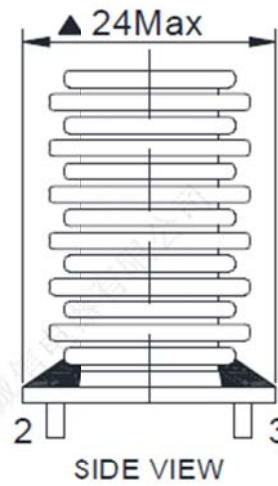
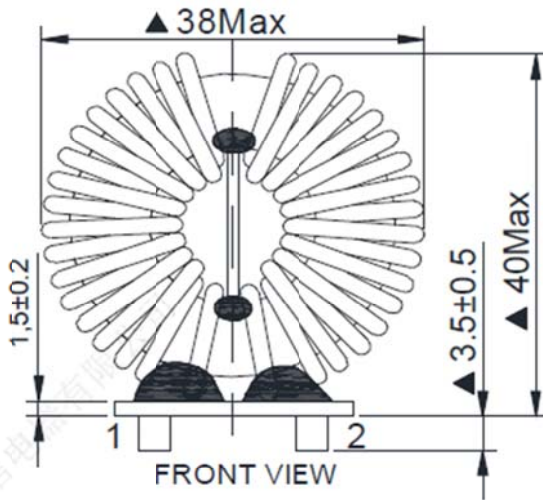
3. Picture 图片



4. Schematic 原理图



5. Dimension (Unit: mm) 外形尺寸



6. Electrical Characteristics 电气特性

Electrical Specifications@25°C								
Part NO.	Output power(W)	Inductance(uH) 10KHz,1V	Inductance(uH) 10KHz,1V	Turns Ratio 20KHz,1V	DCR (mΩ MAX)			HI-POT 2mA/3S
T23082A-0	6600	1~4	2~3	1~4:2~3	1~4	2~3	/	COIL-COIL
		3520	3520	1:1	2.6	2.6	/	2200 VAC