

1. Application 用途

◆Automotive DC-DC Inverter

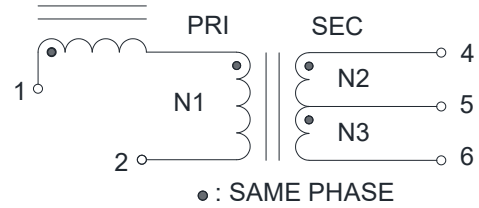
2. Features 特性

- ◆ Magnetic integration and flattened design
- ◆ Comply with AEC-Q200
- ◆ $\geq 98\%$ Efficiency
- ◆ ROHS、Reach Compliant
- ◆ Operating Temperature Range: -40°C to $+155^{\circ}\text{C}$

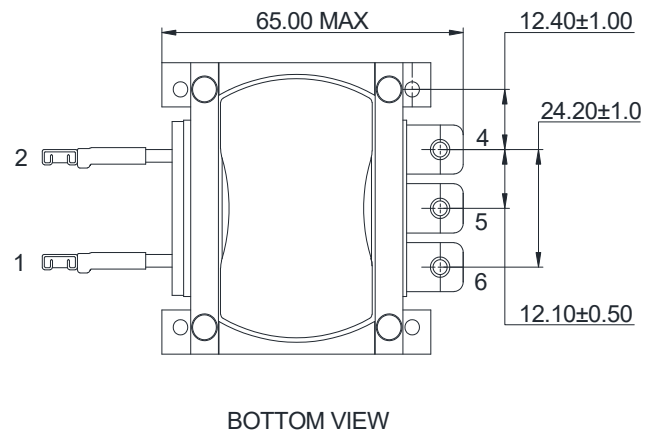
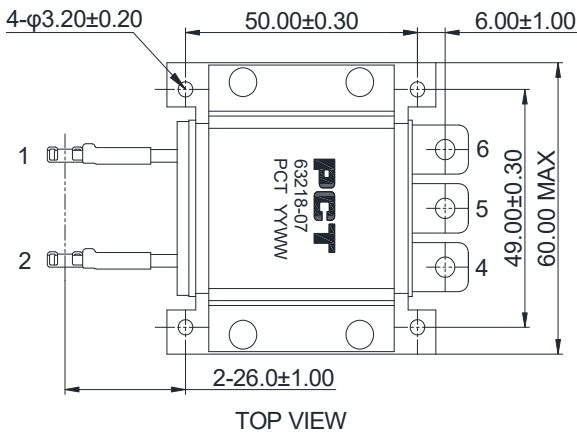
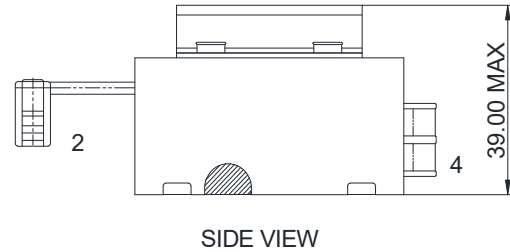
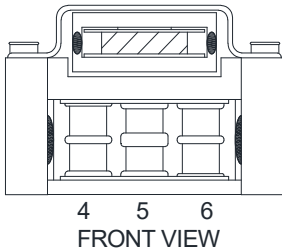
3. Picture 图片



4. Schematic 原理图



5. Dimension (Unit: mm) 外形尺寸



6. Electrical Characteristics 电气特性

Electrical Specifications@25°C							
Part NO.	Output power(W)	Inductance(uH) 100KHz,0.5V	Lk(uH) 100KHz,0.5V	Turns Ratio 20KHz,1V	DCR (mΩ MAX)		HI-POT(VAC) 0.045~0.425mA/3S
63218-07	2700	1-2	1-2	N1:N2:N3	1-2	4-6	/
		565.5 MIN	4.4~5.6	1:0.059:0.059	38.0	0.22	/