

## 1. Application 用途

- ◆ Automotive Resonant Inductor

## 2. Features 特性

- ◆ High current and through hole design
- ◆ Comply with AEC-Q200
- ◆ ≥98% Efficiency
- ◆ ROHS、Reach Compliant
- ◆ Operating Temperature Range: -40°C to +155°C

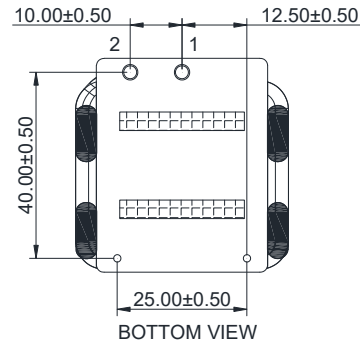
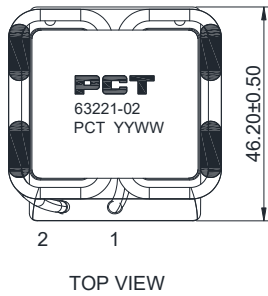
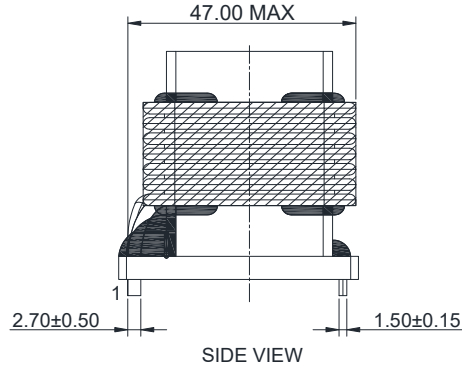
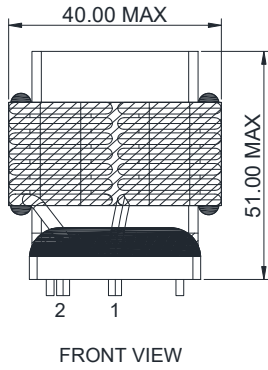
## 3. Picture 图片



## 4. Schematic 原理图



## 5. Dimension (Unit: mm) 外形尺寸



## 6. Electrical Characteristics 电气特性

Electrical Specifications@25°C

Part NO.	Inductance (uH)		Lk(uH)	Turns Ratio	DCR			HI-POT(VAC)
	100KHz,0.05V	100KHz,0.05V	100KHz,0.05V	20KHz,1V	(mΩ MAX)			3mA/5S
63221-02	1-2	/	/	N1	1-2	/	/	COIL-CORE
	18.0~22.0	/	/	/	20.0	/	/	2500