

1. Application 用途

- ◆ Automotive CMC Filter Inductor

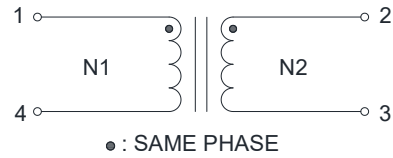
2. Features 特性

- ◆ Comply with AEC-Q200, IEC62368
- ◆ ROHS、Reach Compliant
- ◆ Operating Temperature Range: -40°C to +155°C

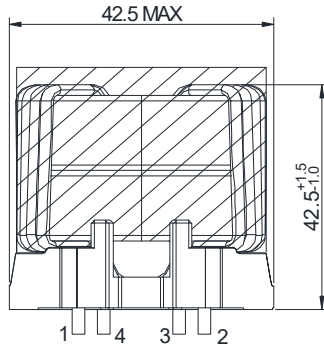
3. Picture 图片



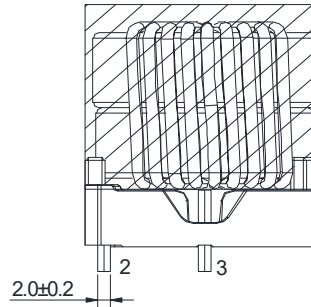
4. Schematic 原理图



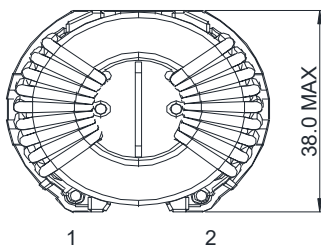
5. Dimension (Unit: mm) 外形尺寸



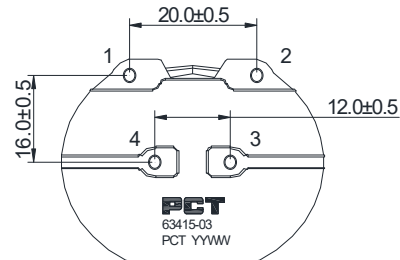
FRONT VIEW



SIDE VIEW



TOP VIEW



BOTTOM VIEW

6. Electrical Characteristics 电气特性

Electrical Specifications@25°C

Part NO.	Inductance (mH)		Lk(uH)	Turns Ratio	DCR				HI-POT(VAC)
	10KHz, 1V	20KHz, 1V	200KHz, 0.5V	20KHz, 1V	(mΩ MAX)				5mA/60S
63415-03	1-4	2-3	1-2	N1:N2	1-4	2-3	/	/	COIL- COIL
	4.0 MIN	4.0 MIN	6.0~8.0	1:1	5.0	5.0	/	/	2500