

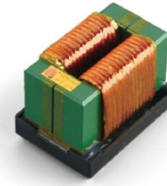
1. Application 用途

- ◆ Automotive On-Board charger (OBC)

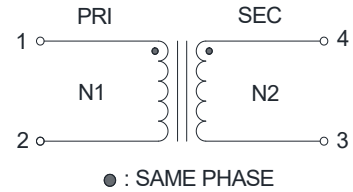
2. Features 特性

- ◆ Comply with AEC-Q200
- ◆ ≥98% Efficiency
- ◆ ROHS、Reach Compliant
- ◆ Operating Temperature Range: -40°C to +155°C

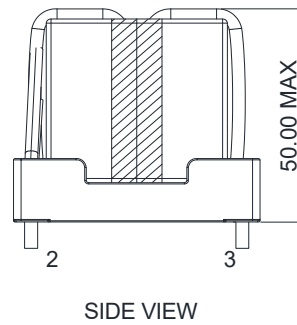
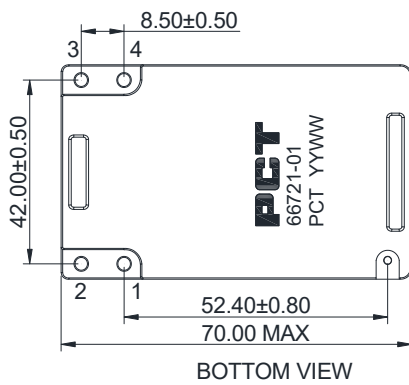
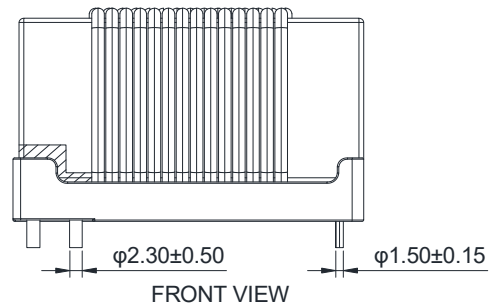
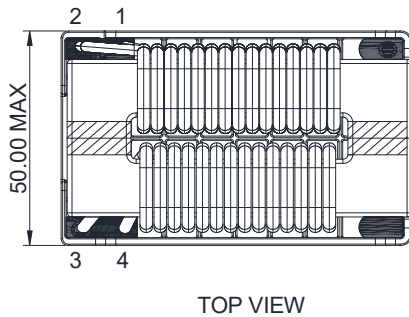
3. Picture 图片



4. Schematic 原理图



5. Dimension (Unit: mm) 外形尺寸



6. Electrical Characteristics 电气特性

Electrical Specifications@25°C

Part NO.	Output power(W)	Inductance(mH)	Lk(uH)MAX	Turns Ratio	DCR			HI-POT(VAC)	
		100KHz, 1V	100KHz, 1V	20KHz, 1V	(mΩ MAX)				
66721-01	6600	1-2	1-2	N1:N2	1-2	3-4	/	/	PRI-SEC
		95.0±10%	1.5	1:0.93	20.0	19.0	/	/	3000