

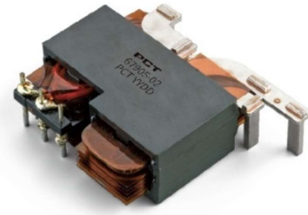
1. Application 用途

- ◆ Automotive DC-DC Inverter

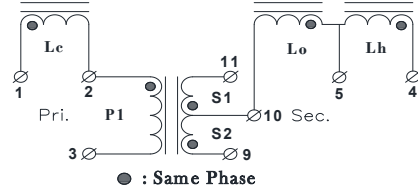
2. Features 特性

- ◆ Comply with AEC-Q200
- ◆ $\geq 98\%$ Efficiency
- ◆ ROHS、Reach Compliant
- ◆ Operating Temperature Range: -40°C to $+155^{\circ}\text{C}$

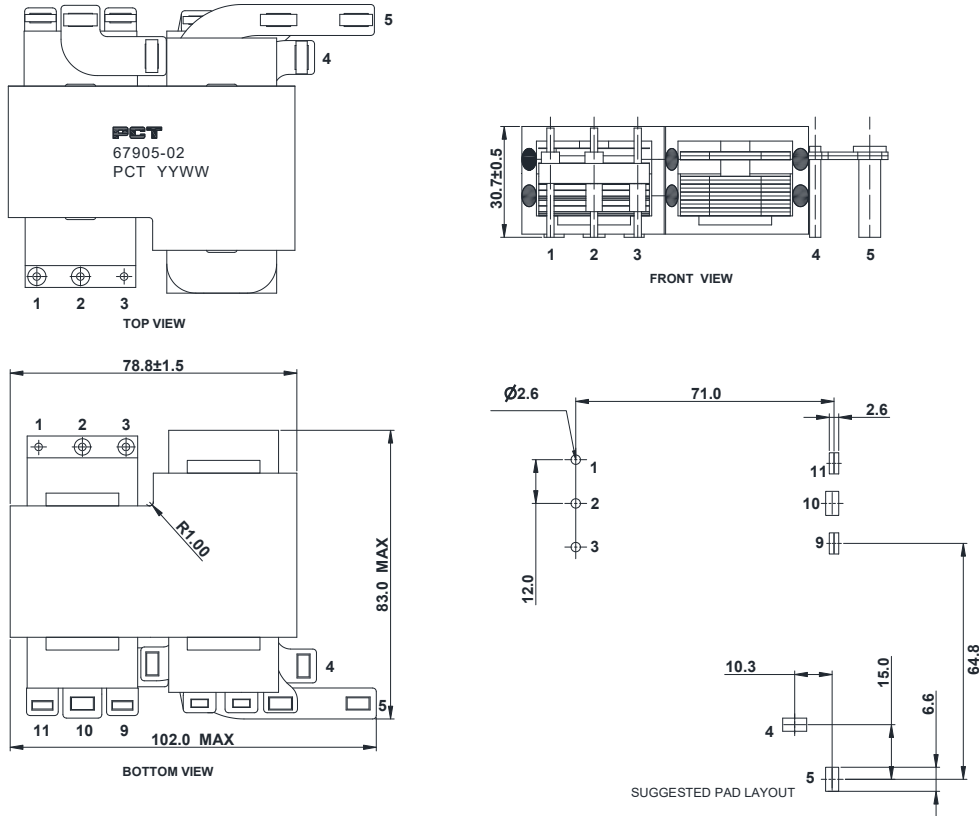
3. Picture 图片



4. Schematic 原理图



5. Dimension (Unit: mm) 外形尺寸



6. Electrical Characteristics 电气特性

Electrical Specifications@25°C

Part NO.	Output power(W)	Inductanc(uH)		Lk(uH)MAX	Turns Ratio	DCR				HI-POT(VAC)
		100KHz,1V	100KHz,1V	100KHz,1V		(mΩ MAX)				1mA/3S
67905-02	2200	1-2	2-3	2-3	Lc:P1:LS1:LS2:L0:Lh	1-3	4-5	5-10	9-11	PRI,SEC-CORE
		4.0±8%	600±15%	1.5	0.2:1:0.1:0.1:0.5:0.1	29.0	0.3	1.0	0.5	2400