

1. Application 用途

- ◆ Industrial, Automotive and so on

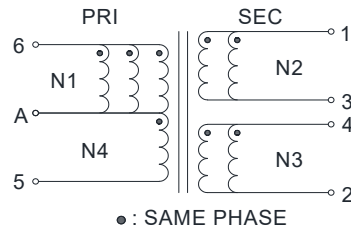
2. Features 特性

- ◆ Comply with AEC-Q200, IEC62368
- ◆ ≥98% Efficiency
- ◆ ROHS、Reach Compliant
- ◆ Operating Temperature Range: -40°C to +155°C

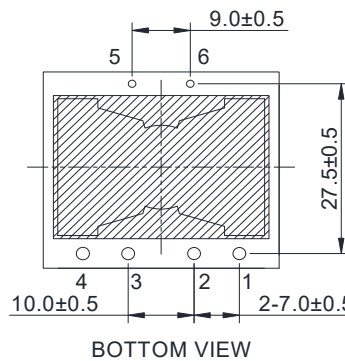
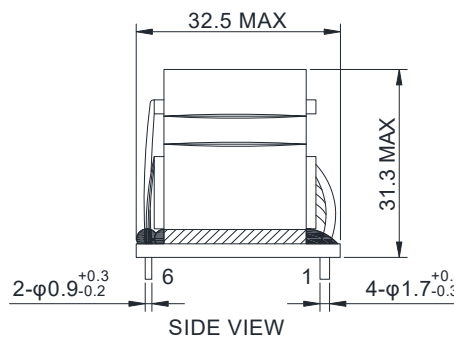
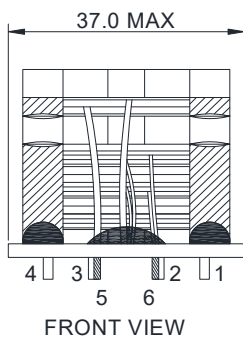
3. Picture 图片



4. Schematic 原理图



5. Dimension (Unit: mm) 外形尺寸



6. Electrical Characteristics 电气特性

Electrical Specifications@25°C

Part NO.	Output power(W)	Inductance (uH) 100KHz, 1V		Lk(uH)MAX 100KHz, 1V	Turns Ratio 20KHz, 1V	DCR (mΩ MAX)				HI-POT(VAC) 2mA/3S
		6-A	5-A	6-A		6-A	A-5	1-3	4-2	
82003-01	1500	350.0±5%	46.0±5%	5.5	N1:N2:N3 1:0.129:0.129	100.0	80.0	7.0	7.0	PRI-SEC 3750