

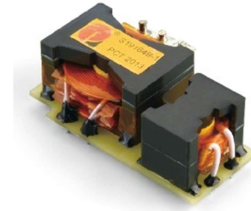
## 1. Application 用途

- ◆ Industrial, Automotive and so on

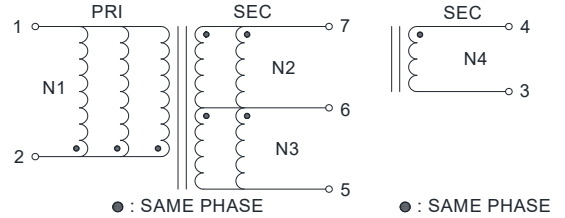
## 2. Features 特性

- ◆ Comply with AEC-Q200, IEC62368
- ◆ ≥98% Efficiency
- ◆ ROHS、Reach Compliant
- ◆ Operating Temperature Range: -40°C to +155°C

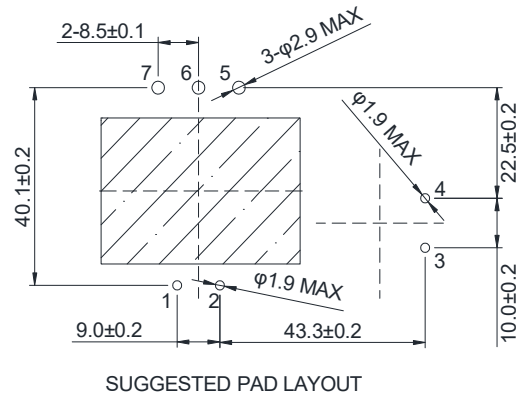
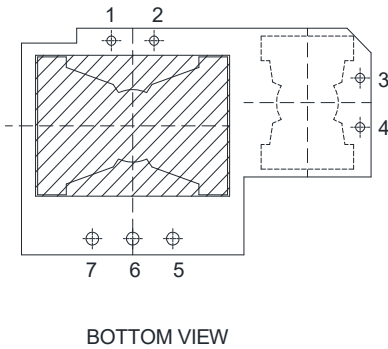
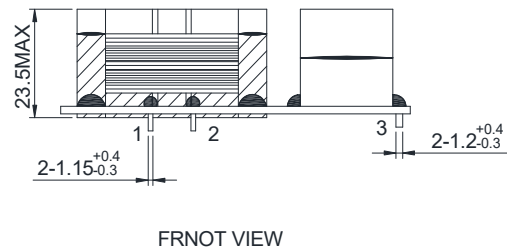
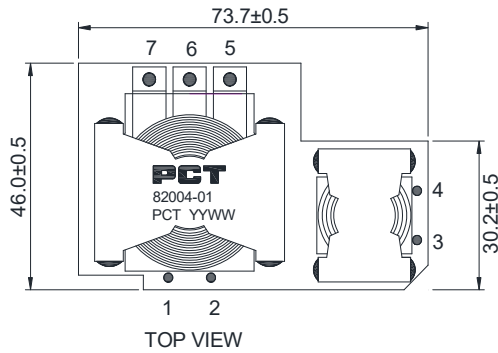
## 3. Picture 图片



## 4. Schematic 原理图



## 5. Dimension (Unit: mm) 外形尺寸



## 6. Electrical Characteristics 电气特性

Electrical Specifications@25°C										
Part NO.	Output power(W)	Inductance(uH)		Lk(uH)MAX	Turns	DCR				HI-POT(VAC)
		100KHz,1V	100KHz,1V	100KHz,1V	Ratio20KHz,1V	(mΩ MAX)				1.0mA/3S
82004-01	2200	2-1	4-3	2-1	N1:N2:N3	2-1	7-6	6-5	4-3	1-6
		255.0±8%	33.0±5%	5.0	1:0.13:0.13	75.0	1.5	1.5	30.0	3700