

1. Application 用途

- ◆ Industrial, New energy and so on

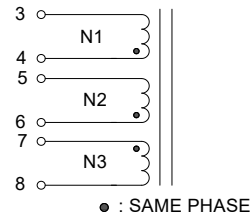
2. Features 特性

- ◆ Comply with IEC62368
- ◆ $\geq 98\%$ Efficiency
- ◆ ROHS、Reach Compliant
- ◆ Operating Temperature Range: -40°C to $+155^{\circ}\text{C}$

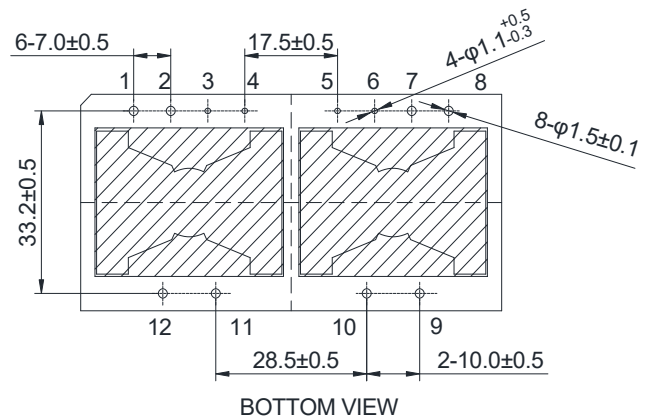
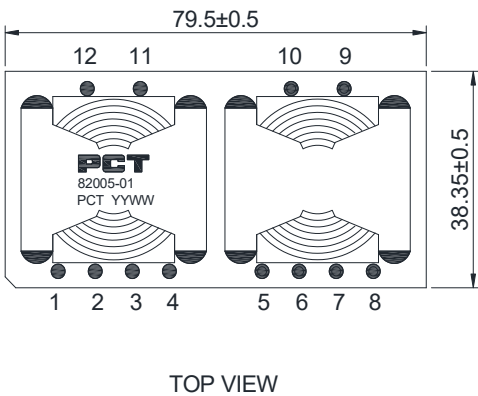
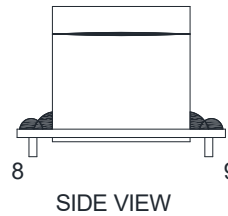
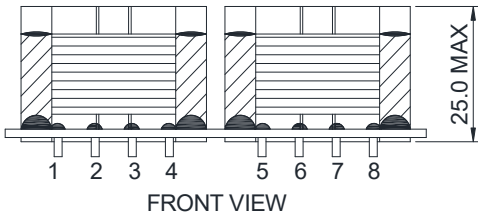
3. Picture 图片



4. Schematic 原理图



5. Dimension (Unit: mm) 外形尺寸



6. Electrical Characteristics 电气特性

Electrical Specifications@25°C

Part NO.	Inductance (uH)		Lk(uH)	Turns Ratio	DCR				HI-POT(VAC)
	100KHz, 1V		100KHz, 1V	20KHz, 1V	(mΩ MAX)				1mA/3S
82005-01	4-3	6-5	/	N1:N2:N3	4-3	6-5	7-8	/	N1 -Core
	170.0±8%	170.0±8%	/	1:1:0.14	100.0	100.0	180.0	/	1000