

## 1. Application 用途

- ◆ Industrial Drive Transformer

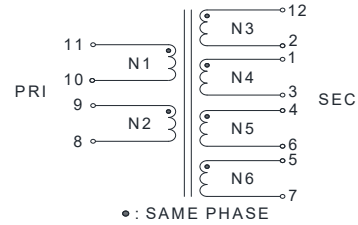
## 2. Features 特性

- ◆ Comply with IEC62368
- ◆  $\geq 95\%$  Efficiency
- ◆ ROHS、Reach Compliant
- ◆ Operating Temperature Range:  $-40^{\circ}\text{C}$  to  $+130^{\circ}\text{C}$

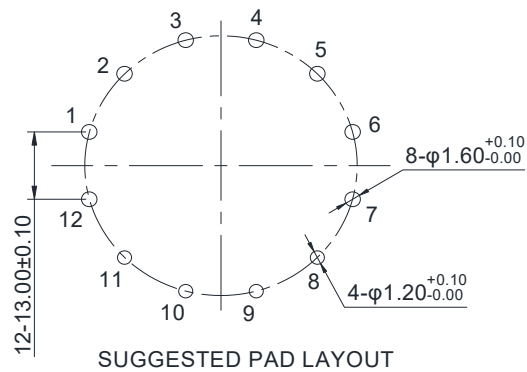
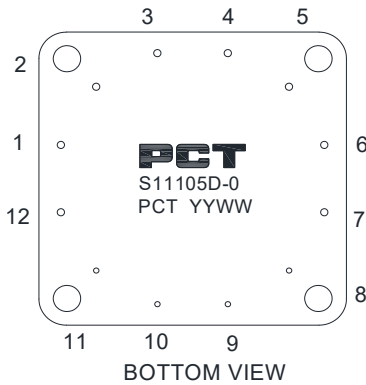
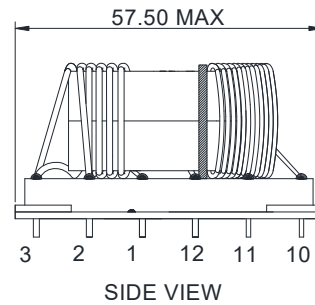
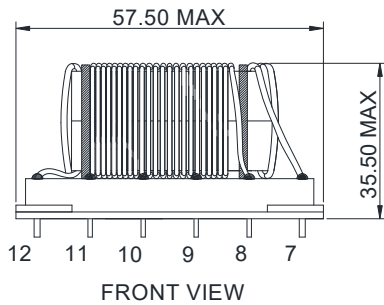
## 3. Picture 图片



## 4. Schematic 原理图



## 5. Dimension (Unit: mm) 外形尺寸



## 6. Electrical Characteristics 电气特性

Electrical Specifications@25°C

Part NO.	Output power(W)	Inductance (mH)		Lk(uH)	Turns Ratio	DCR		HI-POT(VAC)
		1KHz,0.3V	1KHz,0.3V			(mΩ MAX)		
S11105D-0	300	11-10	9-8	/	(N1+N2):(N3+N4):(N5+N6)	N1=N2	N3=N4=N5=N6	PRI -SEC
		1.5 MIN	1.5 MIN	/	1 :0.107 :0.107	50.3	4.25	2600