

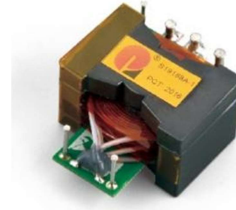
1. Application 用途

- ◆ Industrial, Automotive and so on

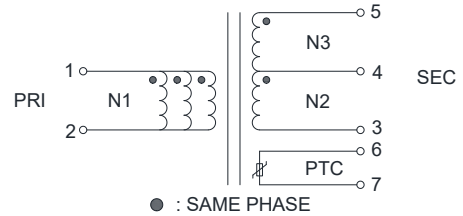
2. Features 特性

- ◆ Comply with AEC-Q200, IEC62368
- ◆ ≥98% Efficiency
- ◆ ROHS、Reach Compliant
- ◆ Operating Temperature Range: -40°C to +155°C

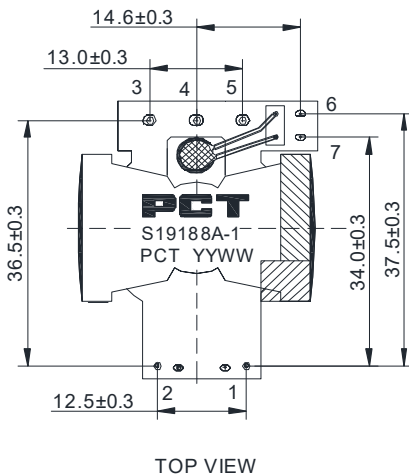
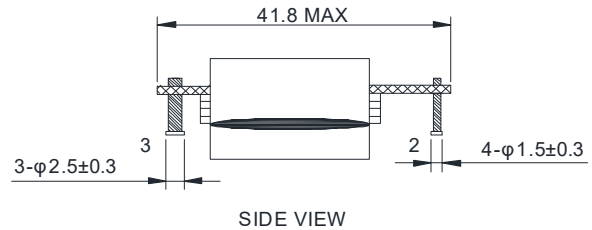
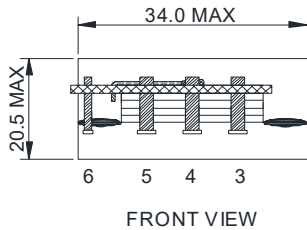
3. Picture 图片



4. Schematic 原理图



5. Dimension (Unit: mm) 外形尺寸



6. Electrical Characteristics 电气特性

Electrical Specifications@25°C									
Part NO.	Output power(W)	Inductance(mH)	Lk(uH)	Turns Ratio	DCR (mΩ MAX)				HI-POT(VAC)
		100KHz,0.3V	100KHz,0.3V	20KHz,1V	1-2	3-4	4-5	/	1mA/60S
S19188A-1	600	1-2	/	N1:N2:N3	1-2	3-4	4-5	/	N1-N2,N3
		260.0~300.0	/	1:0.24:0.24	100.0	5.0	5.0	/	3750