

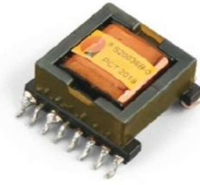
1. Application 用途

- ◆ Industrial, Automotive and so on

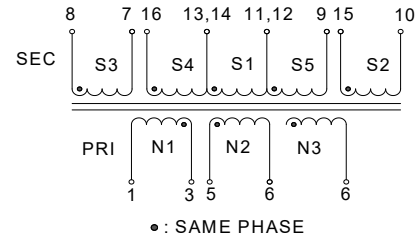
2. Features 特性

- ◆ Low profile and SMD design
- ◆ Comply with AEC-Q200, IEC62368
- ◆ $\geq 95\%$ Efficiency
- ◆ ROHS、Reach Compliant
- ◆ Operating Temperature Range: -40°C to $+155^{\circ}\text{C}$

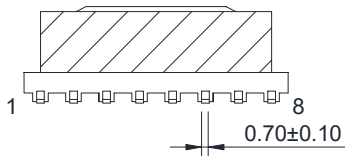
3. Picture 图片



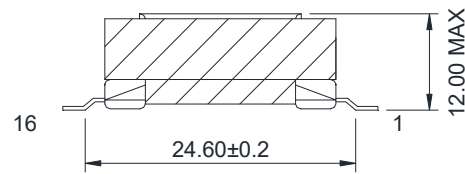
4. Schematic 原理图



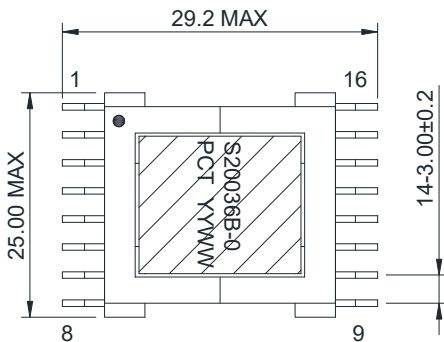
5. Dimension (Unit: mm) 外形尺寸



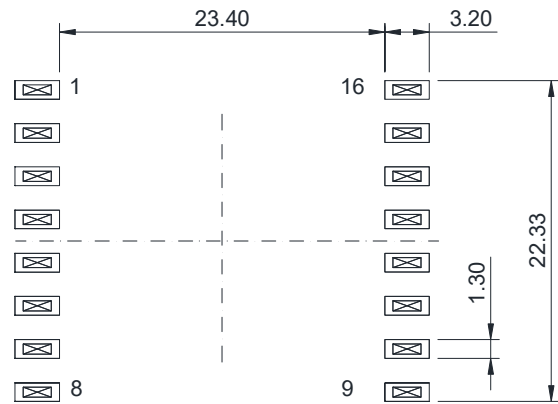
FRONT VIEW



SIDE VIEW



TOP VIEW



SUGGESTED PAD LAYOUT

6. Electrical Characteristics 电气特性

Electrical Specifications@25°C

Part NO.	Output power(W)	Inductance(uH) 100KHz, 1V	Lk(uH)MAX 100KHz, 1V	Turns Ratio 100KHz, 1V	DCR (mΩ MAX)				HI-POT(VAC) 1mA/3S
S20036B-0	30	1-3	1-3	N1:N2:S1+S4+S5:S2:S3	/	/	/	/	PRI-SEC
		45.0~55.0	3.0	1:0.5:1:0.22:0.22	/	/	/	/	500