

1. Application 用途

- ◆ Industrial, Automotive and so on

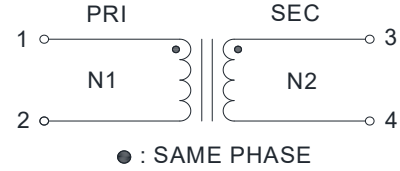
2. Features 特性

- ◆ Comply with AEC-Q200, IEC62368
- ◆ ≥95% Efficiency
- ◆ ROHS、Reach Compliant
- ◆ Operating Temperature Range: -40°C to +155°C

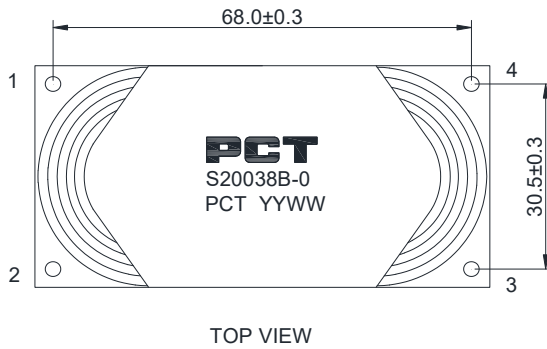
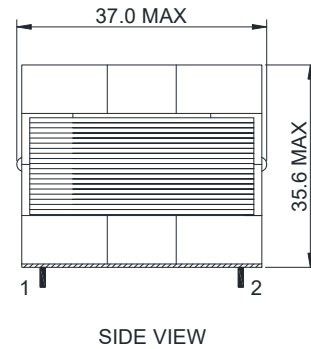
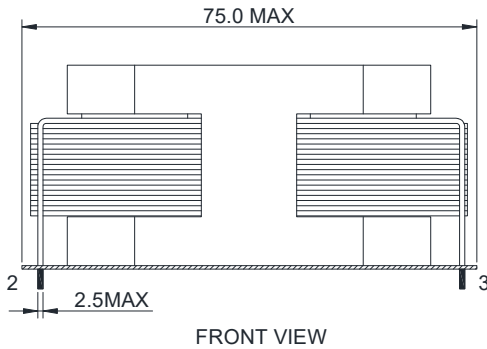
3. Picture 图片



4. Schematic 原理图



5. Dimension (Unit: mm) 外形尺寸



6. Electrical Characteristics 电气特性

Electrical Specifications@25°C

Part NO.	Inductance (uH)		Lk(uH)	Turns Ratio	DCR (mΩ MAX)				HI-POT(VAC)
	1-2	3-4	100KHz,0.3V	20KHz,1V	1-2	3-4	/	/	1mA/60S
S20038B-0			/	N1:N2	1-2	3-4	/	/	COIL-CORE
	135.0~165.0	135.0~165.0	/	1:1	50.0	50.0	/	/	500