

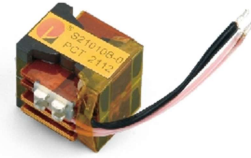
1. Application 用途

- ◆ Industrial Power Supply

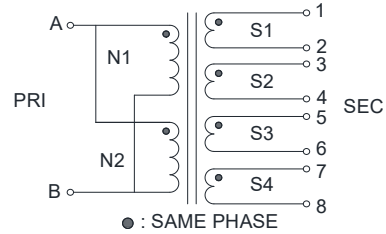
2. Features 特性

- ◆ Comply with IEC62368
- ◆ $\geq 98\%$ Efficiency
- ◆ ROHS、Reach Compliant
- ◆ Operating Temperature Range: -40°C to $+155^{\circ}\text{C}$

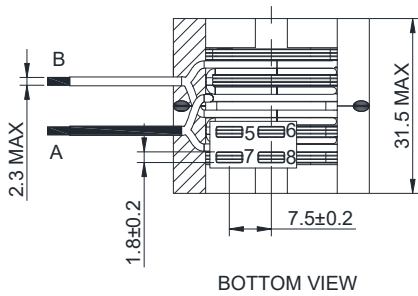
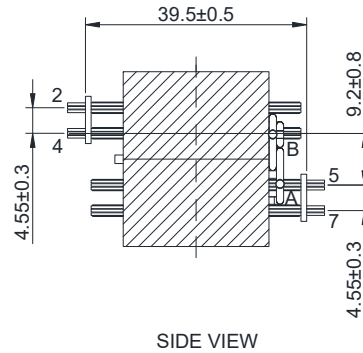
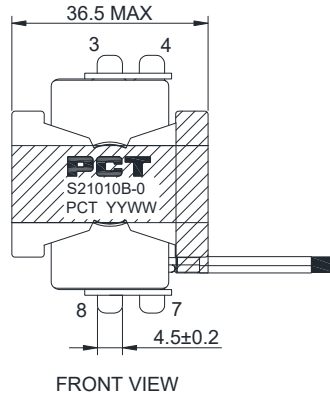
3. Picture 图片



4. Schematic 原理图



5. Dimension (Unit: mm) 外形尺寸



6. Electrical Characteristics 电气特性

Electrical Specifications@25°C									
Part NO.	Output power(W)	Inductance (uH) 10KHz,0.3V	Lk(uH) 10KHz,0.3V	Turns Ratio 20KHz,1V	DCR (mΩ MAX)			HI-POT(VAC) 5mA/60S	
S21010B-0	1000	A-B	A-B	N1:N2:S1:S2:S3:S4	A-B	/	/	/	PRI-SEC
		100.0±10%	10.0 MAX	1:1:0.06:0.06:0.06:0.06	150	/	/	/	3000