

1. Application 用途

- ◆ Industrial, New energy and so on

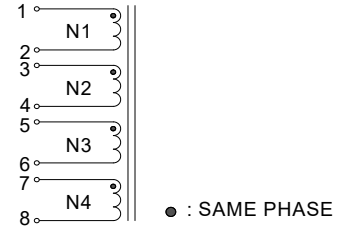
2. Features 特性

- ◆ Magnetic integration and flattened design
- ◆ Comply with IEC62368
- ◆ ≥98% Efficiency
- ◆ ROHS、Reach Compliant
- ◆ Operating Temperature Range: -40°C to +130°C

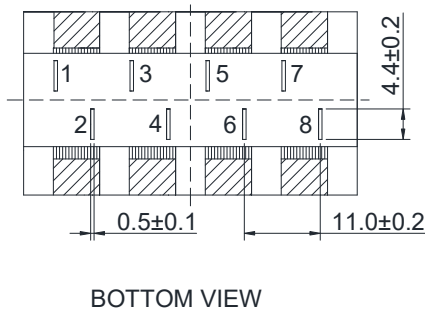
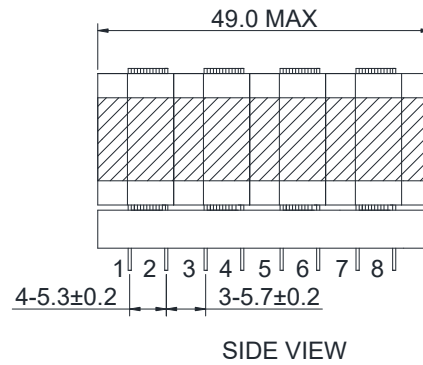
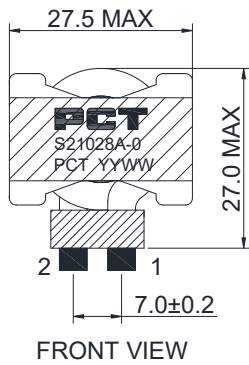
3. Picture 图片



4. Schematic 原理图



5. Dimension (Unit: mm) 外形尺寸



6. Electrical Characteristics 电气特性

Electrical Specifications@25°C

Part NO.	Inductance (uH) 10KHz,0.3V		Lk(uH) 10KHz,0.3V	Turns Ratio 20KHz,1V	DCR (mΩ MAX)				HI-POT(VAC) 5mA/60S
	1-2	3-4	1-8	N1:N2:N3:N4	1-2	3-4	5-6	7-8	COIL-CORE
S21028A-0	25.0±7%	25.0±7%	100.0±10%	1:1:1:1	12.0	12.0	12.0	12.0	1000