

## 1. Application 用途

- ◆ New energy, Industrial and so on

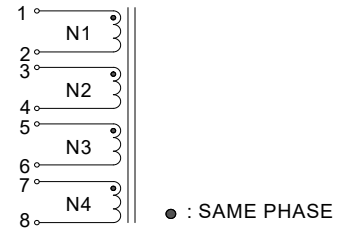
## 2. Features 特性

- ◆ Magnetic integration and flattened design
- ◆ Comply with IEC62368
- ◆  $\geq 98\%$  Efficiency
- ◆ ROHS、Reach Compliant
- ◆ Operating Temperature Range:  $-40^{\circ}\text{C}$  to  $+130^{\circ}\text{C}$

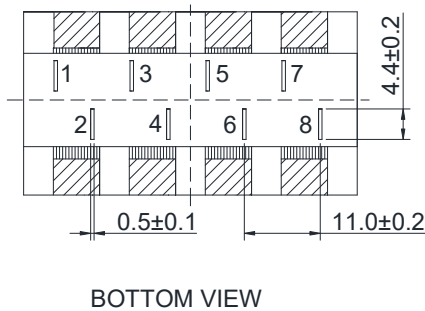
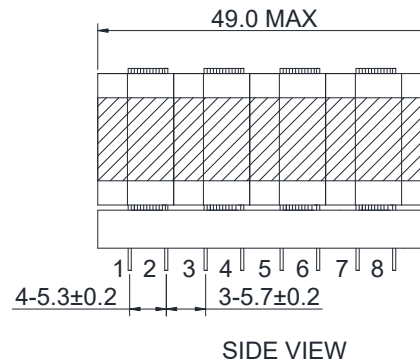
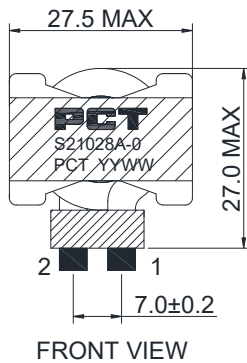
## 3. Picture 图片



## 4. Schematic 原理图



## 5. Dimension (Unit: mm) 外形尺寸



## 6. Electrical Characteristics 电气特性

Electrical Specifications@25°C

Part NO.	Inductance (uH)		Lk(uH)	Turns Ratio	DCR				HI-POT(VAC)
	10KHz,0.3V		10KHz,0.3V	20KHz,1V	(mΩ MAX)				5mA/60S
S21028A-0	1-2	3-4	1-8	N1:N2:N3:N4	1-2	3-4	5-6	7-8	COIL-CORE
	25.0±7%	25.0±7%	100.0±10%	1:1:1:1	12.0	12.0	12.0	12.0	1000