

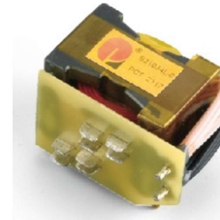
## 1. Application 用途

- ◆ Industrial Power Supply

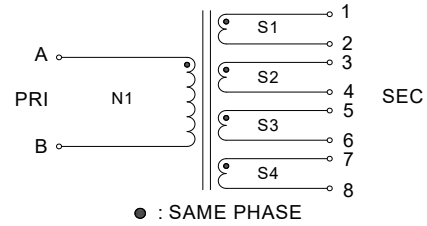
## 2. Features 特性

- ◆ Comply with IEC62368
- ◆  $\geq 98\%$  Efficiency
- ◆ ROHS、Reach Compliant
- ◆ Operating Temperature Range:  $-40^{\circ}\text{C}$  to  $+155^{\circ}\text{C}$

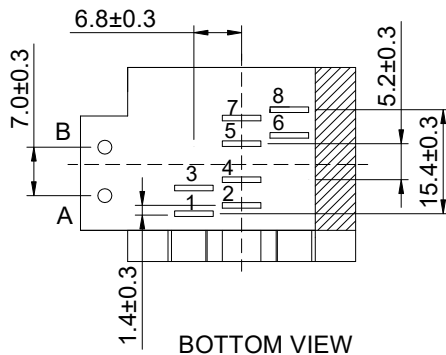
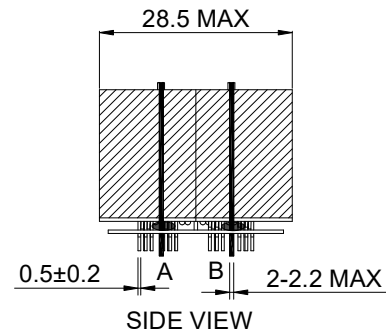
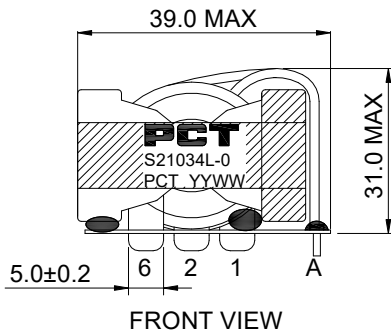
## 3. Picture 图片



## 4. Schematic 原理图



## 5. Dimension (Unit: mm) 外形尺寸



## 6. Electrical Characteristics 电气特性

Electrical Specifications@25°C

Part NO.	Output power(W)	Inductance(uH)	Lk(uH)MAX	Turns Ratio	DCR			HI-POT(VAC)	
		10KHz,0.3V	10KHz,0.3V		(mΩ MAX)				
<b>S21034L-0</b>	1100	A-B	A-B	N1:S1:S2:S3:S4	A-B	/	/	/	PRI-SEC
		150.0±10%	2.0	1:0.22:0.22:0.22:0.22	50.0	/	/	/	3000