

1. Application 用途

- ◆ New energy, Industrial and so on

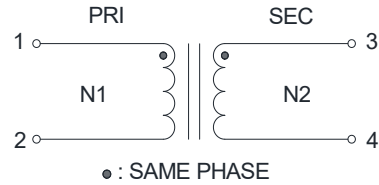
2. Features 特性

- ◆ Double toroid and through hole design
- ◆ Comply with AEC-Q200, IEC62368
- ◆ $\geq 98\%$ Efficiency
- ◆ ROHS、Reach Compliant
- ◆ Operating Temperature Range: -40°C to $+155^{\circ}\text{C}$

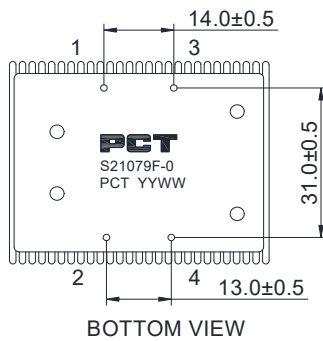
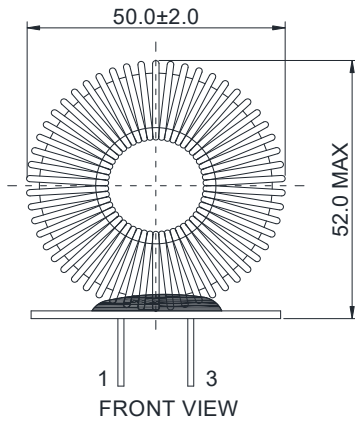
3. Picture 图片



4. Schematic 原理图



5. Dimension (Unit: mm) 外形尺寸



6. Electrical Characteristics 电气特性

Electrical Specifications@25°C									
Part NO.	Inductance (uH)		Lk(uH)	Turns Ratio	DCR				HI-POT(VAC)
	1-2	3-4	1KHz, 1V	20KHz, 1V	(mΩ MAX)				5mA/3S
S21079F-0	1-2	3-4	/	N1:N2	1-2	3-4	/	/	/
	810.0±15%	810.0±15%	/	/			/	/	/